



Festo core product range
Covers 80% of your automation tasks

Worldwide:

Always in stock

Superb:

Festo quality at an attractive price

Easy:

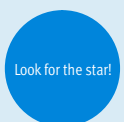
Reduces procurement and storing complexity



Ready for dispatch from the Festo factory in 24 hours
Held in stock in 13 service centres worldwide
More than 2200 products

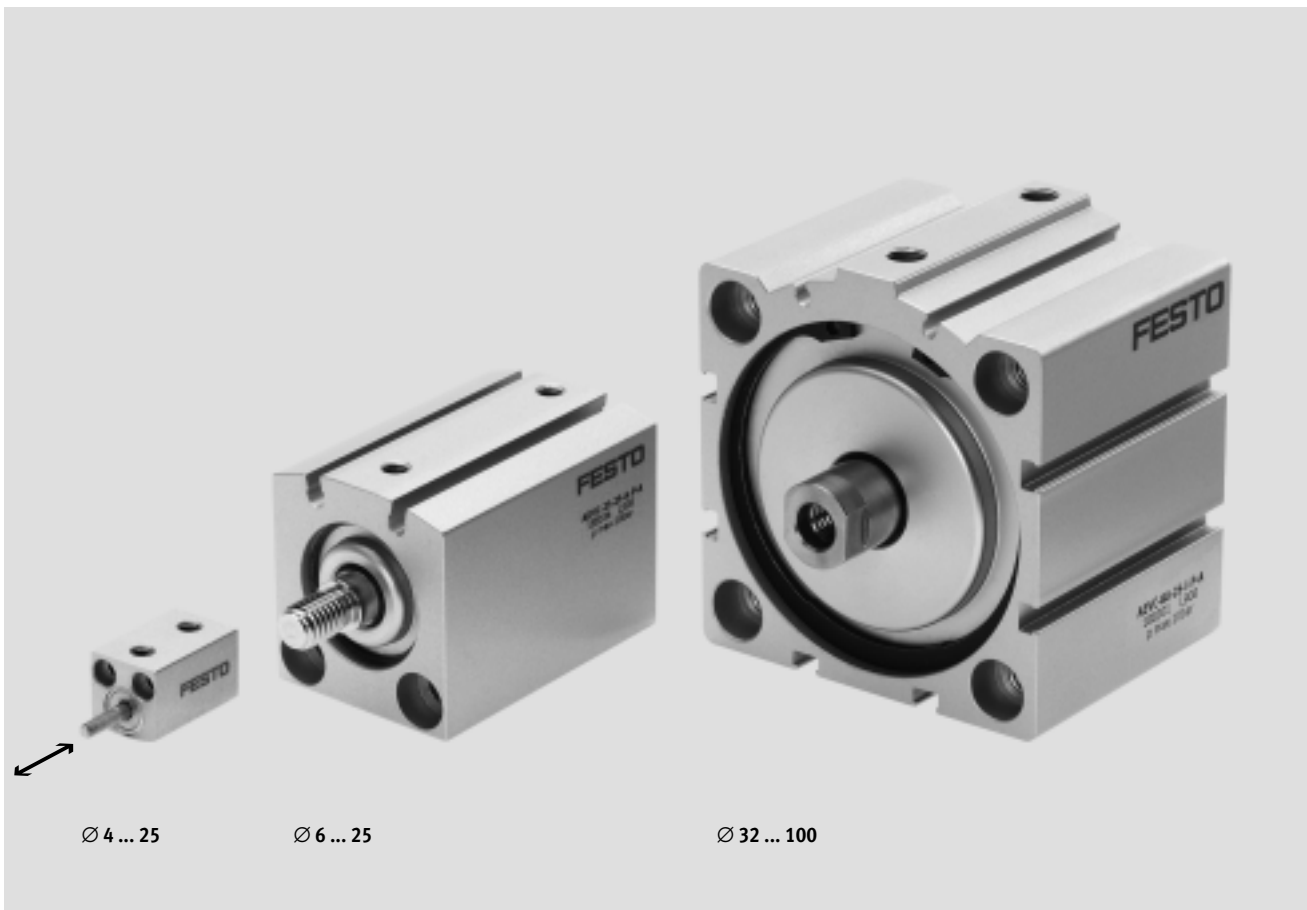


Ready for dispatch in 5 days maximum from stock
Assembled for you in 4 service centres worldwide
Up to 6 x 10¹² variants per product series



Short-stroke cylinders ADVC/AEVC

Key features



Ø 4 ... 25

Ø 6 ... 25

Ø 32 ... 100

Brief description

- Ø - Diameter
4 ... 100 mm

- | - Stroke length
2.5 ... 25 mm

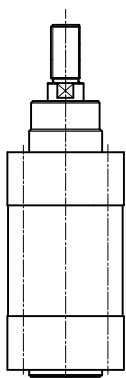
Short-stroke cylinders are ideal for clamping tasks with short strokes, e.g. in retaining devices.

The cylinders offer:

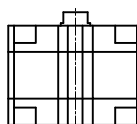
- Rapid response with applied pressure
- Large clamping forces in comparison to their size
- Minimal installation space

- Integrated sensor slots for contacting or contactless proximity sensors
- Mounting hole pattern to VDMA 24562 for Ø 32 ... 100 mm

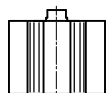
Fitting space comparison with 10 mm stroke



100%
Standard cylinder
DNC

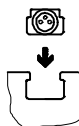


45%
Compact cylinder
ADVU

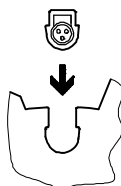


33%
Short-stroke cylinder
ADVC

Sensor slots



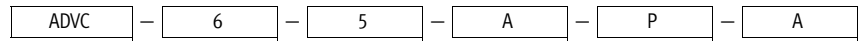
T-slot for proximity sensor
SME/SMT-8



C-slot for proximity sensor SME/
SMT-10

Short-stroke cylinders ADVC/AEVC

Type codes



Type

ADVC	Double acting short stroke cylinder
AEVC	Single-acting short stroke cylinder

Piston Ø [mm]

Stroke [mm]

Piston rod thread

A	Male thread
I	Female thread
	Without thread

Cushioning


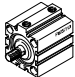
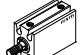
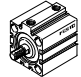

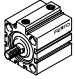

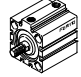
P	Flexible cushioning rings/plates at both ends
---	---

Position sensing

	No position sensing
A	For proximity sensing

Short-stroke cylinders ADVC/AEVC

Product range overview

Function	Version	Type	Piston Ø [mm]	Stroke [mm]	Position sensing
Double-acting	Without position sensing				
		ADVC Ø 4 ... 25	4	2.5; 5	-
			6, 10, 12	5, 10	
			16, 20, 25	5, 10, 15, 20, 25	
		ADVC Ø 32 ... 100	32, 40	5, 10, 15, 20, 25	-
			50, 63, 80, 100	10, 15, 20, 25	
	With position sensing				
		ADVC-...-A Ø 6 ... 25	6, 10, 12	5, 10	■
			16, 20, 25	5, 10, 15, 20, 25	
		ADVC-...-A Ø 32 ... 100	32, 40	5, 10, 15, 20, 25	■
50, 63, 80, 100			10, 15, 20, 25		
Single-acting	Without position sensing				
		AEVC Ø 4 ... 25	4	2.5; 5	-
			6, 10, 12	5, 10	
			16, 20, 25	5, 10, 25	
		AEVC Ø 32 ... 100	32	5, 10, 25	-
			40, 50, 63, 80, 100	10, 25	
	With position sensing				
		AEVC-...-A Ø 6 ... 25	6, 10, 12	5, 10	■
			16, 20, 25	5, 10, 25	
		AEVC-...-A Ø 32 ... 100	32	5, 10, 25	■
40, 50, 63, 80, 100			10, 25		

Short-stroke cylinders ADVC/AEVC

Product range overview

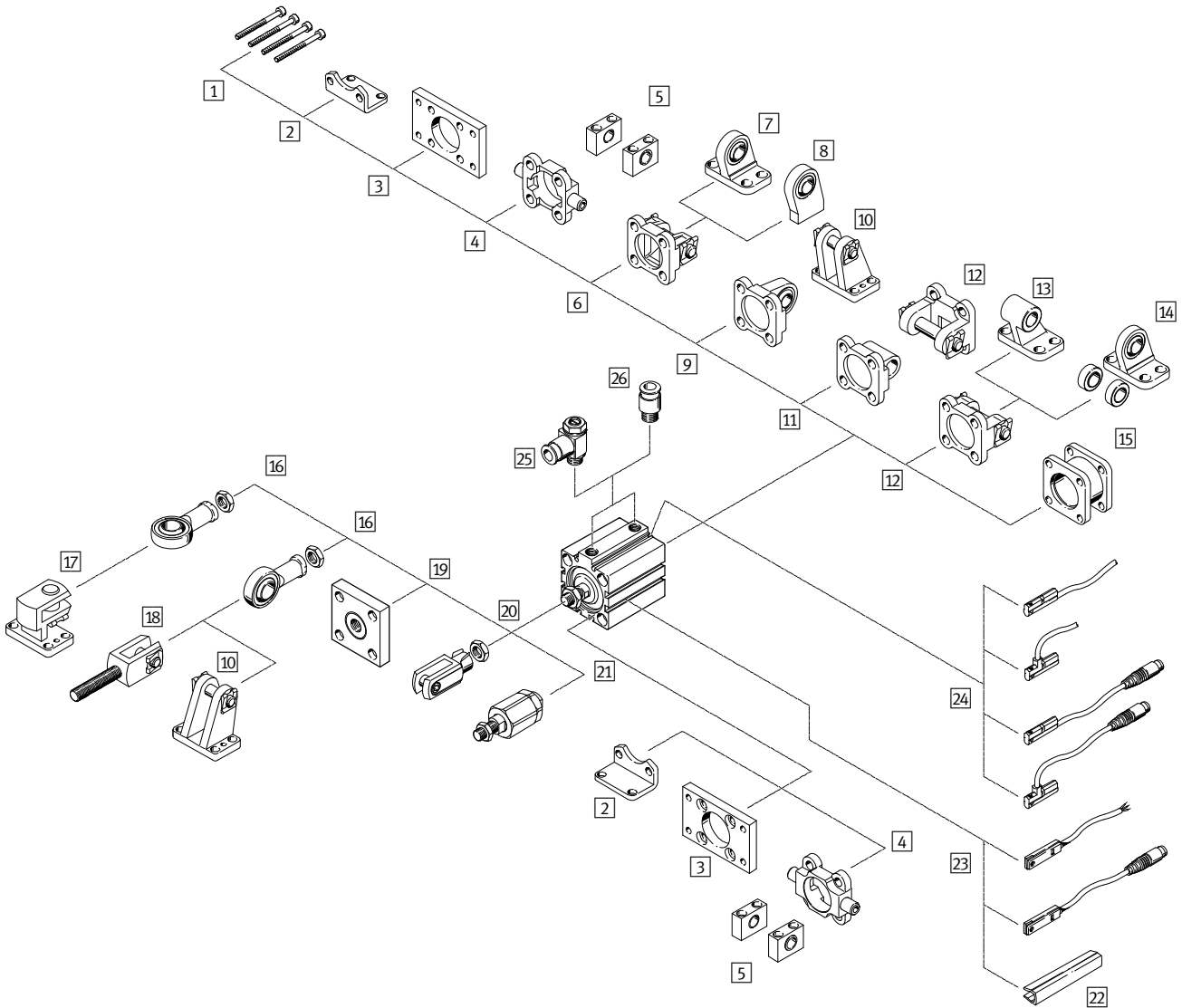
Type	Piston rod			Cushioning	→ Page/Internet
	With male thread	With female thread	Without thread		
Without position sensing					
ADVC ∅ 4 ... 25	■	■ From ∅ 12	■ ∅ 4 ... 12	■	8
ADVC ∅ 32 ... 100	■	■	-	■	8
With position sensing					
ADVC-...-A ∅ 6 ... 25	■	■ From ∅ 12	■ ∅ 6 ... 12	■	16
ADVC-...-A ∅ 32 ... 100	■	■	-	■	16
Without position sensing					
AEVC ∅ 4 ... 25	■	■ From ∅ 12	■ ∅ 4 ... 12	■	24
AEVC ∅ 32 ... 100	■	■	-	■	24
With position sensing					
AEVC-...-A ∅ 6 ... 25	■	■ From ∅ 12	■ ∅ 6 ... 12	■	31
AEVC-...-A ∅ 32 ... 100	■	■	-	■	31

Short-stroke cylinders ADVC/AEVC

Peripherals overview



Ø 32 ... 100 mm



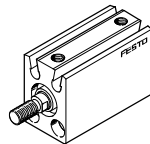
Ø 4 ... 25 mm

Without position sensing



Ø 6 ... 25 mm

With position sensing



Short-stroke cylinders ADVC/AEVC

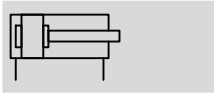
Peripherals overview

FESTO

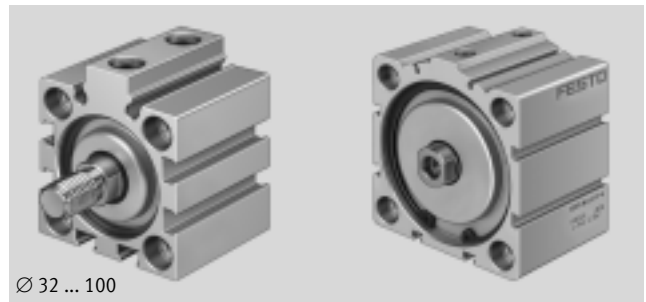
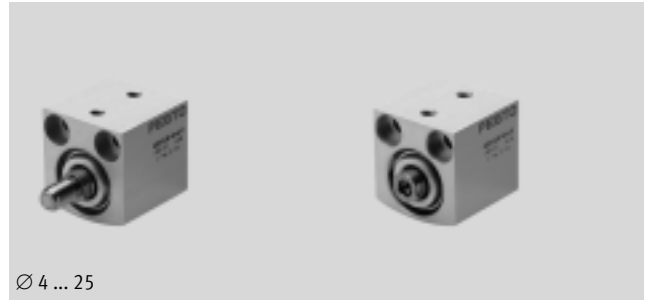
Mounting attachments and accessories						
	Description	Piston Ø			→ Page/Internet	
		4, 6, 12	10, 16 ... 25	32 ... 100		
1	Mounting screws	Not included in scope of delivery	■ DIN 84	■ DIN 912	■ DIN 912	–
1	Mounting screws for Ø 80, 100	Not included in scope of delivery	–	–	■	38, 39, 40, 42, 43, 44, 45
2	Foot mounting HNC	For bearing and end caps	–	–	■	38
3	Flange mounting FNC	For bearing or end caps	–	–	■	39
4	Trunnion flange ZNCF	For bearing or end caps	–	–	■	40
5	Trunnion support LNZZ	–	–	–	■	41
6	Swivel flange SNC	For end caps	–	–	■	42
7	Clevis foot LSNG	With spherical bearing	–	–	■	46
8	Clevis foot LNSG	Weld-on, with spherical bearing	–	–	■	46
9	Swivel flange SNCS	With spherical bearing for end caps	–	–	■	44
10	Clevis foot LBG	–	–	–	■	46
11	Swivel flange SNCL	For end caps	–	–	■	45
12	Swivel flange SNCB	For end caps	–	–	■	43
13	Clevis foot LNG	–	–	–	■	46
14	Clevis foot LSN	With spherical bearing	–	–	■	46
15	Adapter kit DPNC	For connecting two cylinders with identical piston diameter to form a multi-position cylinder	–	–	■	37
16	Rod eye SGS	With spherical bearing	–	■	■	47
17	Right-angle clevis foot LQG	–	–	■	■	46
18	Rod clevis SGA	With male thread	–	–	■	47
19	Coupling piece KSG	For compensating radial deviations	–	–	■	47
20	Rod clevis SG	Permits a swivelling movement of the cylinder in one plane	–	■	■	47
21	Self-aligning rod coupler FK	For compensating radial and angular deviations	■ Ø 12	■	■	47
22	Slot cover ABP-5-S	To protect the sensor cable and keep dirt out of the sensor slots	–	–	■	48
23	Proximity sensors SME/SMT-8	Can be integrated in the cylinder profile barrel	–	–	■	48
24	Proximity sensors SME/SMT-10	Can be integrated in the cylinder profile barrel	–	■	■	49
25	One-way flow control valve GRLA	To regulate speed	■	■	■	49
26	Push-in fitting QS	For connecting compressed air tubing with standard external diameters	■	■	■	qs

Short-stroke cylinders ADVC

Technical data, double-acting – without position sensing



- - Diameter
4 ... 100 mm
- - Stroke length
2.5 ... 25 mm



General technical data													
Piston Ø	4	6	10	12	16	20	25	32	40	50	63	80	100
Pneumatic connection	M3	M3	M5	M5	M5	M5	M5	G1/8	G1/8	G1/8	G1/8	G1/8	G1/4
Piston rod with female thread	-	-	-	■	■	■	■	■	■	■	■	■	■
Piston rod with male thread	■	■	■	■	■	■	■	■	■	■	■	■	■
Piston rod without thread	■	■	■	■	-	-	-	-	-	-	-	-	-
Operating medium	Compressed air in accordance with ISO 8573-1:2010 [7:4:4]												
Note on operating/pilot medium	Operation with lubricated medium possible (in which case lubricated operation will always be required)												
Constructional design	Piston												
	Piston rod												
Cushioning	Flexible cushioning rings/plates at both ends												
Type of mounting	Via through-holes							Via through-holes					
	-							Via accessories					
Mounting position	Any												

Operating conditions													
Piston Ø	4	6	10	12	16	20	25	32	40	50	63	80	100
Operating pressure [bar]	2 ... 8	1.5 ... 8	1 ... 8	1 ... 10				0.6 ... 10					
Ambient temperature [°C]	-20 ... +80												
Corrosion resistance class CRC ¹⁾	1												

1) Corrosion resistance class CRC 1 to Festo standard FN 940070
Low corrosion stress. For dry indoor applications or transport and storage protection. Also applies to parts behind covers, in the non-visible interior area, and parts which are covered in the application (e.g. drive trunnions).

Short-stroke cylinders ADVC

Technical data, double-acting – without position sensing

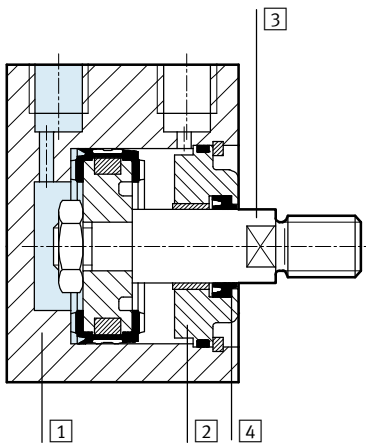
Forces [N] and impact energy [J]													
Piston Ø	4	6	10	12	16	20	25	32	40	50	63	80	100
Theoretical force at 6 bar, advancing	7.5	17	47	68	121	189	295	483	754	1178	1870	3016	4712
Theoretical force at 6 bar, returning	5.7	13	40	51	91	141	247	415	686	1056	1750	2847	4418
Max. impact energy at end positions	0.003	0.005	0.03	0.06	0.10	0.14	0.18	0.26	0.36	0.60	0.64	0.90	1.20

Product weight [g]													
Stroke [mm]	Piston Ø												
	4	6	10	12	16	20	25	32	40	50	63	80	100
2.5	4	–	–	–	–	–	–	–	–	–	–	–	–
5	4.5	12.5	23	34	68	112	135	280	350	–	–	–	–
10	–	16	26	42	76	124	150	300	380	470	600	1570	2480
15	–	–	–	–	84	136	165	320	410	505	650	1655	2570
20	–	–	–	–	92	148	180	340	440	540	700	1740	2660
25	–	–	–	–	100	160	195	360	470	575	750	1825	2750

Moving load [g]													
Stroke [mm]	Piston Ø												
	4	6	10	12	16	20	25	32	40	50	63	80	100
2.5	0.2	–	–	–	–	–	–	–	–	–	–	–	–
5	0.25	1.2	2.8	6.6	11	22	27	46	69	–	–	–	–
10	–	1.5	3.3	7.7	13	25	30	51	74	127	178	339	719
15	–	–	–	–	15	28	33	56	79	135	186	351	739
20	–	–	–	–	17	31	36	61	84	143	194	363	759
25	–	–	–	–	19	34	39	66	89	151	202	375	779

Materials

Sectional view



Short-stroke cylinder	Ø 4	Ø 6 ... 100
1 Cylinder barrel	Anodised aluminium	Anodised aluminium
2 Cover cap	Anodised aluminium	Anodised aluminium
3 Piston rod	Anodised aluminium	High-alloy steel
4 Rod seal	Nitrile rubber	Polyurethane
Note on material	Free of copper and PTFE	Free of copper and PTFE

Short-stroke cylinders ADVC

Technical data, double-acting – without position sensing

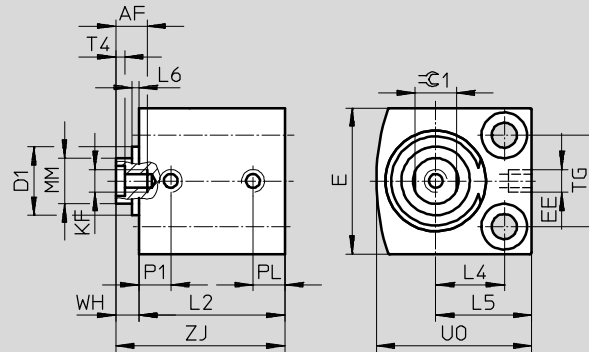
Dimensions

Ø 4 ... 25 mm

Download CAD data → www.festo.com

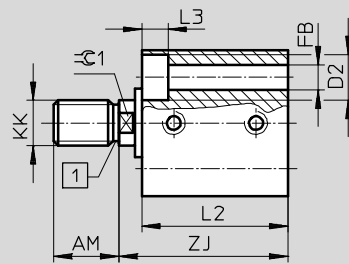
ADVC-...-I-P

Piston rod with female thread



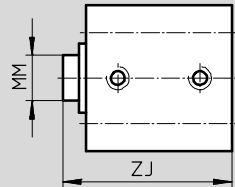
ADVC-...-A-P

Piston rod with male thread



ADVC-...-P

Piston rod without thread



Note

Ø 4 mm

Do not exceed maximum screw-in depth of 3 mm and maximum tightening torque of 0.7 Nm.

Ø 10 mm

Depending on tolerance, the bearing cap may project by up to 0.65 mm.

Ø 12 mm

Depending on tolerance, the bearing cap may project by up to 0.35 mm.

1 No undercut with diameter 4/6/10.

Short-stroke cylinders ADVC

Technical data, double-acting – without position sensing

∅ [mm]	Stroke [mm]	AF min.	AM -0.5	D1 ∅ max.	D2 ∅	E max.	EE	FB ∅	KF	KK	L2 +0.2	L3
4	2.5	-	6	-	3.3 +0.1	10	M3	1.8	-	M2	13	1.8
	5										15.5	
6	5	-	6	-	5 +0.1	13	M3	2.9	-	M3	16	2.9
	10										21	
10	5	-	8	7.5	5.8 +0.1	18	M5	3.4	-	M4	21	3.4
	10										24	
12	5	8	8	10.7	6 H13	20	M5	3.4	M3	M5	23	3.4
	10										28	
16	5	10	12	-	8 H13	25	M5	4.5	M4	M6	23	4.6
	10										28	
	15										33	
	20										38	
	25										43	
20	5	12	12	-	10 H13	32	M5	5.5	M5	M8	27	5.7
	10										32	
	15										37	
	20										42	
	25										47	
25	5	12	12	-	10 H13	38	M5	5.5	M5	M8	27.5	5.7
	10										32.5	
	15										37.5	
	20										42.5	
	25										47.5	

∅ [mm]	Stroke [mm]	L4	L5	L6 max.	MM ∅	P1	PL	T4	TG ±0.1	UO max.	WH	ZJ ±0.8	≙C1
4	2.5	4	6.5	-	2	3.7	3.2	-	5.8	10	1	14	-
	5											16.5	
6	5	6	9	-	3	4.7	3	-	7	14	1	17	-
	10											22	
10	5	8	11.5	0.7	4	5.2	5.2	-	11	19	1.5	22.5	-
	10					6	5.5					25.5	
12	5	9	13	0.4	6	5.75	5.75	1.5	13	22	4	27	5
	10					9	6					32	
16	5	11.5	16.5	-	8	6	6	2	15	27	4	27	7
	10					32							
	15					37							
	20					42							
	25					47							
20	5	15	21	-	10	7.5	7	2	20	34	5	32	9
	10											37	
	15											42	
	20											47	
	25											52	
25	5	15.5	21.5	-	10	8	6.5	2	26	37	5	32.5	9
	10											37.5	
	15											42.5	
	20											47.5	
	25											52.5	

Short-stroke cylinders ADVC

Technical data, double-acting – without position sensing



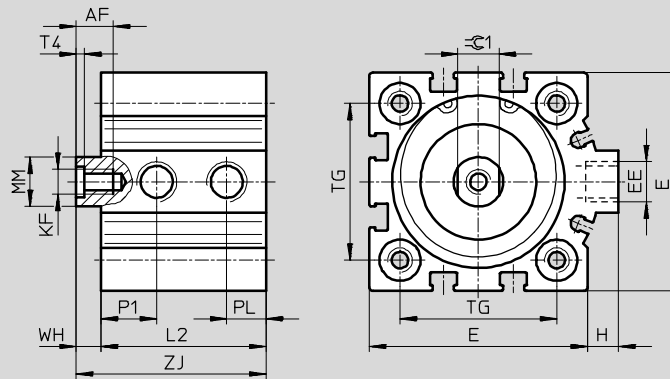
Dimensions

Download CAD data → www.festo.com

∅ 32 ... 100 mm

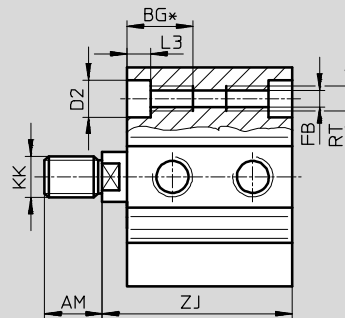
ADVC-...-I-P

Piston rod with female thread



ADVC-...-A-P**

Piston rod with male thread



∅	AF	AM	BG*	D2	E	EE	FB	H	KF	KK
[mm]	min.	-0.5	min.	∅ F9	max.		∅			
32	12	14	21.7	9	45	G1/8	5.2	7	M6	M10x1.25
40	12	14	21.7	9	53.5	G1/8	5.2	7	M6	M10x1.25
50	16	16	22.8	11	63.5	G1/8	6.8	7	M8	M12x1.25
63	16	16	22.8	11	75	G1/8	6.8	7.5	M8	M12x1.25
80	20	22	25	14	93	G1/8	8.5	7	M10	M16x1.5
100	24	28	25	14	113	G1/4	8.5	13	M12	M20x1.5

* Continuous thread with short overall length

** Nut for piston rod thread included in scope of delivery

Short-stroke cylinders ADVC

Technical data, double-acting – without position sensing


∅ [mm]	Stroke [mm]	L2 +0.2	L3	MM ∅	P1	PL	RT	T4	TG ±0.1	WH	ZJ ±0.8	≈G1
32	5	34	5.7	12	9	8.5	M6	2.6	32.5	6	40	10
	10	39									45	
	15	44									50	
	20	49									55	
	25	54									60	
40	5	34.5	5.7	12	11	9	M6	2.6	38	6	40.5	10
	10	39.5									45.5	
	15	44.5									50.5	
	20	49.5									55.5	
	25	54.5									60.5	
50	10	38	6.8	16	11.3	9.5	M8	3.3	46.5	8	46	13
	15	43									51	
	20	48									56	
	25	53									61	
63	10	45	6.8	16	12.5	11.5	M8	3.3	56.5	8	53	13
	15	50									58	
	20	55									63	
	25	60									68	
80	10	50	9	20	15	15	M10	4.7	72	8	58	17
	15	55									63	
	20	60									68	
	25	65									73	
100	10	59	9	25	16.5	19	M10	6.1	89	10	69	22
	15	64									74	
	20	69									79	
	25	74									84	

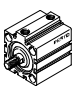
Short-stroke cylinders ADVC

Technical data, double-acting – without position sensing

FESTO

★ Core product range

Ordering data						
Type	Piston Ø [mm]	Stroke [mm]	Piston rod with male thread		Piston rod with female thread	
			Part No.	Type	Part No.	Type
	12	5	★ 188094	ADVC-12-5-A-P	★ 188090	ADVC-12-5-I-P
		10	★ 188095	ADVC-12-10-A-P	★ 188091	ADVC-12-10-I-P
	16	5	★ 188123	ADVC-16-5-A-P	★ 188113	ADVC-16-5-I-P
		10	★ 188124	ADVC-16-10-A-P	★ 188114	ADVC-16-10-I-P
		15	★ 188125	ADVC-16-15-A-P	★ 188115	ADVC-16-15-I-P
		20	★ 188126	ADVC-16-20-A-P	★ 188116	ADVC-16-20-I-P
		25	★ 188127	ADVC-16-25-A-P	★ 188117	ADVC-16-25-I-P
	20	5	★ 188155	ADVC-20-5-A-P	★ 188145	ADVC-20-5-I-P
		10	★ 188156	ADVC-20-10-A-P	★ 188146	ADVC-20-10-I-P
		15	★ 188157	ADVC-20-15-A-P	★ 188147	ADVC-20-15-I-P
		20	★ 188158	ADVC-20-20-A-P	★ 188148	ADVC-20-20-I-P
		25	★ 188159	ADVC-20-25-A-P	★ 188149	ADVC-20-25-I-P
	25	5	★ 188187	ADVC-25-5-A-P	★ 188177	ADVC-25-5-I-P
		10	★ 188188	ADVC-25-10-A-P	★ 188178	ADVC-25-10-I-P
		15	★ 188189	ADVC-25-15-A-P	★ 188179	ADVC-25-15-I-P
		20	★ 188190	ADVC-25-20-A-P	★ 188180	ADVC-25-20-I-P
		25	★ 188191	ADVC-25-25-A-P	★ 188181	ADVC-25-25-I-P


Ordering data						
Type	Piston Ø [mm]	Stroke [mm]	Piston rod with male thread		Piston rod with female thread	
			Part No.	Type	Part No.	Type
	32	5	★ 188219	ADVC-32-5-A-P	★ 188209	ADVC-32-5-I-P
		10	★ 188220	ADVC-32-10-A-P	★ 188210	ADVC-32-10-I-P
		15	★ 188221	ADVC-32-15-A-P	★ 188211	ADVC-32-15-I-P
		20	★ 188222	ADVC-32-20-A-P	★ 188212	ADVC-32-20-I-P
		25	★ 188223	ADVC-32-25-A-P	★ 188213	ADVC-32-25-I-P
	40	5	★ 188247	ADVC-40-5-A-P	★ 188237	ADVC-40-5-I-P
		10	★ 188248	ADVC-40-10-A-P	★ 188238	ADVC-40-10-I-P
		15	★ 188249	ADVC-40-15-A-P	★ 188239	ADVC-40-15-I-P
		20	★ 188250	ADVC-40-20-A-P	★ 188240	ADVC-40-20-I-P
		25	★ 188251	ADVC-40-25-A-P	★ 188241	ADVC-40-25-I-P
	50	10	★ 188272	ADVC-50-10-A-P	★ 188264	ADVC-50-10-I-P
		15	★ 188273	ADVC-50-15-A-P	★ 188265	ADVC-50-15-I-P
		20	★ 188274	ADVC-50-20-A-P	★ 188266	ADVC-50-20-I-P
		25	★ 188275	ADVC-50-25-A-P	★ 188267	ADVC-50-25-I-P
	63	10	★ 188296	ADVC-63-10-A-P	★ 188288	ADVC-63-10-I-P
		15	★ 188297	ADVC-63-15-A-P	★ 188289	ADVC-63-15-I-P
		20	★ 188298	ADVC-63-20-A-P	★ 188290	ADVC-63-20-I-P
		25	★ 188299	ADVC-63-25-A-P	★ 188291	ADVC-63-25-I-P

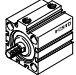
Festo core product range

- ★ Ready for dispatch from the Festo factory in 24 hours
- ☆ Ready for dispatch in 5 days maximum from stock

Short-stroke cylinders ADVC

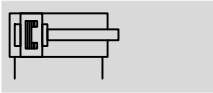
Technical data, double-acting – without position sensing

Ordering data						
Type	Piston Ø [mm]	Stroke [mm]	Piston rod with male thread		Piston rod without thread	
			Part No.	Type	Part No.	Type
	4	2.5	188054	ADVC-4-2,5-A-P	526897	ADVC-4-2,5-P
		5	188055	ADVC-4-5-A-P	526898	ADVC-4-5-P
	6	5	188066	ADVC-6-5-A-P	526899	ADVC-6-5-P
		10	188067	ADVC-6-10-A-P	526900	ADVC-6-10-P
	10	5	188078	ADVC-10-5-A-P	526903	ADVC-10-5-P
		10	188079	ADVC-10-10-A-P	526904	ADVC-10-10-P
	12	5	–		530568	ADVC-12-5-P
		10			530569	ADVC-12-10-P

Ordering data						
Type	Piston Ø [mm]	Stroke [mm]	Piston rod with male thread		Piston rod with female thread	
			Part No.	Type	Part No.	Type
	80	10	188320	ADVC-80-10-A-P	188312	ADVC-80-10-I-P
		15	188321	ADVC-80-15-A-P	188313	ADVC-80-15-I-P
		20	188322	ADVC-80-20-A-P	188314	ADVC-80-20-I-P
		25	188323	ADVC-80-25-A-P	188315	ADVC-80-25-I-P
	100	10	188344	ADVC-100-10-A-P	188336	ADVC-100-10-I-P
		15	188345	ADVC-100-15-A-P	188337	ADVC-100-15-I-P
		20	188346	ADVC-100-20-A-P	188338	ADVC-100-20-I-P
		25	188347	ADVC-100-25-A-P	188339	ADVC-100-25-I-P

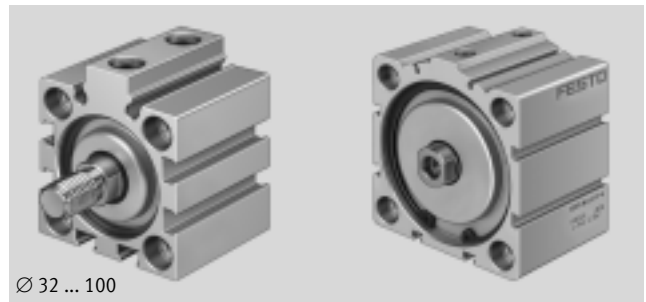
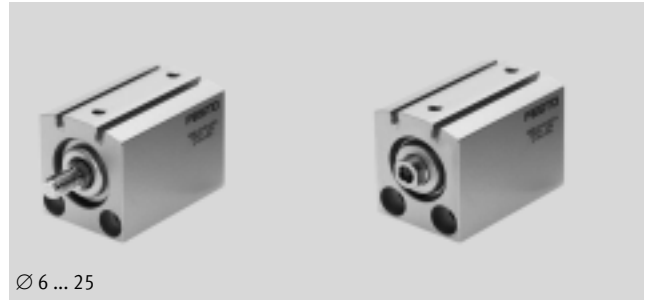
Short-stroke cylinders ADVC

Technical data, double-acting – with position sensing



- Diameter
6 ... 100 mm

- Stroke length
5 ... 25 mm



General technical data												
Piston Ø	6	10	12	16	20	25	32	40	50	63	80	100
Pneumatic connection	M3	M5	M5	M5	M5	M5	G1/8	G1/8	G1/8	G1/8	G1/8	G1/4
Piston rod with female thread	–	–	■	■	■	■	■	■	■	■	■	■
Piston rod with male thread	■	■	■	■	■	■	■	■	■	■	■	■
Piston rod without thread	■	■	■	–	–	–	–	–	–	–	–	–
Operating medium	Compressed air in accordance with ISO 8573-1:2010 [7:4:4]											
Note on operating/pilot medium	Operation with lubricated medium possible (in which case lubricated operation will always be required)											
Constructional design	Piston											
	Piston rod											
Cushioning	Flexible cushioning rings/plates at both ends											
Position sensing	For proximity sensing											
Type of mounting	Via through-holes						Via through-holes					
	–						Via accessories					
Mounting position	Any											

Operating conditions												
Piston Ø	6	10	12	16	20	25	32	40	50	63	80	100
Operating pressure [bar]	1.5 ... 8	1 ... 8	1 ... 10				0.6 ... 10					
Ambient temperature [°C]	–20 ... +80 (note operating range of proximity sensors)											
Corrosion resistance class CRC ¹⁾	1											

1) Corrosion resistance class CRC 1 to Festo standard FN 940070
Low corrosion stress. For dry indoor applications or transport and storage protection. Also applies to parts behind covers, in the non-visible interior area, and parts which are covered in the application (e.g. drive trunnions).

Short-stroke cylinders ADVC

Technical data, double-acting – with position sensing

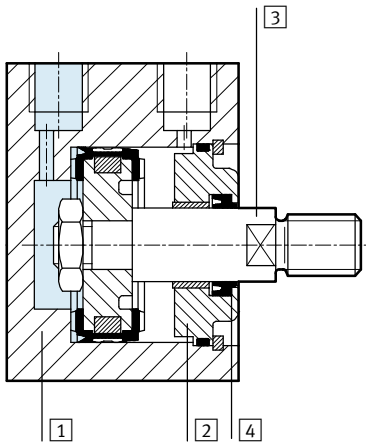
Forces [N] and impact energy [J]												
Piston Ø	6	10	12	16	20	25	32	40	50	63	80	100
Theoretical force at 6 bar, advancing	17	47	68	121	189	295	483	754	1178	1870	3016	4712
Theoretical force at 6 bar, returning	13	40	51	91	141	247	415	686	1056	1750	2847	4418
Max. impact energy at end positions	0.005	0.03	0.06	0.10	0.14	0.18	0.26	0.36	0.60	0.64	0.90	1.20

Product weight [g]												
Stroke [mm]	Piston Ø											
	6	10	12	16	20	25	32	40	50	63	80	100
5	20	37	70	98	162	195	320	460	–	–	–	–
10	23	45	79	106	174	210	340	490	630	710	1940	2970
15	–	–	–	114	186	225	360	520	665	760	2025	3060
20	–	–	–	122	198	240	380	550	700	810	2110	3150
25	–	–	–	130	210	255	400	580	735	860	2195	3240

Moving load [g]												
Stroke [mm]	Piston Ø											
	6	10	12	16	20	25	32	40	50	63	80	100
5	1.7	3.2	8.5	15	26	32	50	66	–	–	–	–
10	2	3.7	9.6	17	29	35	55	71	116	158	289	555
15	–	–	–	19	32	38	60	76	124	166	301	575
20	–	–	–	21	35	41	65	81	132	174	313	595
25	–	–	–	23	38	44	70	86	140	182	325	615

Materials

Sectional view



Short-stroke cylinder	
1	Cylinder barrel Anodised aluminium
2	Cover cap Anodised aluminium
3	Piston rod High-alloy steel
4	Rod seal Polyurethane
Note on material Free of copper and PTFE	

Short-stroke cylinders ADVC

Technical data, double-acting – with position sensing



Dimensions Download CAD data → www.festo.com

∅ 6 ... 25 mm

ADVC-...-I-P-A
Piston rod with female thread

ADVC-...-A-P-A
Piston rod with male thread

ADVC-...-P-A
Piston rod without thread

Note

∅ 10 mm
Depending on tolerance, the bearing cap may project by up to 0.65 mm.

∅ 12 mm
Depending on tolerance, the bearing cap may project by up to 0.35 mm.

1 No undercut with diameter 6/10.

1 Slot for proximity sensor SME/SMT-10

∅ [mm]	Stroke [mm]	AF min.	AM -0.5	D1 ∅ max.	D2 ∅	E max.	EE	FB ∅	KF	KK	L2 +0.2	L3
6	5	-	6	-	5 +0.1	16	M3	2.9	-	M3	25.5	2.9
	10										30.5	
10	5	-	8	7.5	5.8 +0.1	21	M5	3.4	-	M4	27	3.4
	10										32	
12	5	8	8	10.7	6 H13	24	M5	3.4	M3	M5	36	3.4
	10										41	
16	5	10	12	-	8 H13	28	M5	4.5	M4	M6	35	4.6
	10										40	
	15										45	
	20										50	
20	5	12	12	-	10 H13	32	M5	5.5	M5	M8	37	5.7
	10										42	
	15										47	
	20										52	
25	5	12	12	-	10 H13	38	M5	5.5	M5	M8	37	5.7
	10										42	
	15										47	
	20										52	
25	25	12	12	-	10 H13	38	M5	5.5	M5	M8	57	5.7
	25										57	

Short-stroke cylinders ADVC

Technical data, double-acting – with position sensing

∅ [mm]	Stroke [mm]	L4	L5	L6 max.	MM ∅	P1	PL	T4	TG ±0.1	U0 max.	WH	ZJ ±0.8	⊕1
6	5	5	8	-	3	5.2	3	-	10	16	1	26.5	-
	10											31.5	
10	5	7	10.5	0.7	4	6	6	-	14	22	1.5	28.5	-
	10											33.5	
12	5	8	12	0.4	6	7	6	1.5	16	26	4	40	5
	10											45	
16	5	12	17	-	8	8	6	2	18	32	4	39	7
	10											44	
	15											49	
	20											54	
	25											59	
20	5	15	21	-	10	7.5	7	2	20	39	5	42	9
	10											47	
	15											52	
	20											57	
	25											62	
25	5	15.5	21.5	-	10	10	6	2	26	42	5	42	9
	10											47	
	15											52	
	20											57	
	25											62	

Short-stroke cylinders ADVC

Technical data, double-acting – with position sensing



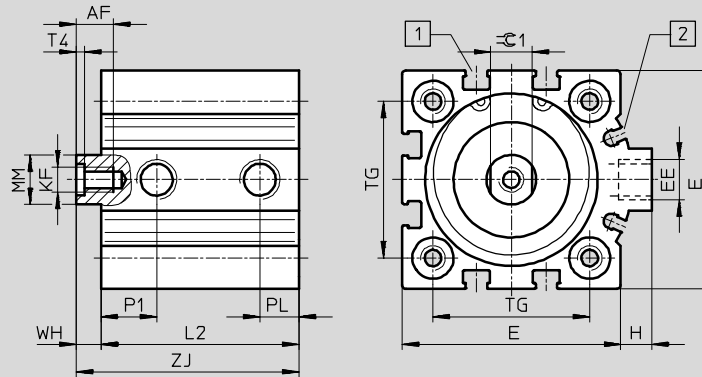
Dimensions

Download CAD data → www.festo.com

∅ 32 ... 100 mm

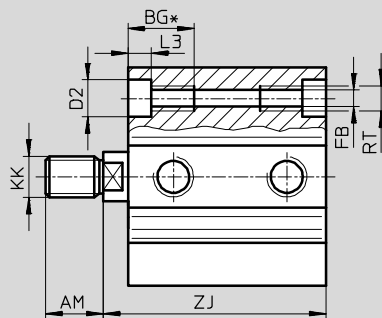
ADVC-...-I-P-A

Piston rod with female thread



ADVC-...-A-P-A**

Piston rod with male thread



- 1 Slot for proximity sensor SME/SMT-8
- 2 Slot for proximity sensor SME/SMT-10

∅	AF	AM	BG*	D2	E	EE	FB	H	KF	KK
[mm]	min.	-0.5	min.	∅ F9	max.		∅			
32	12	14	21.7	9	45	G1/8	5.2	7	M6	M10x1.25
40	12	14	21.7	9	53.5	G1/8	5.2	7	M6	M10x1.25
50	16	16	22.8	11	63.5	G1/8	6.8	7	M8	M12x1.25
63	16	16	22.8	11	75	G1/8	6.8	7.5	M8	M12x1.25
80	20	22	25	14	93	G1/8	8.5	7	M10	M16x1.5
100	24	28	25	14	113	G1/4	8.5	13	M12	M20x1.5

* Continuous thread with short overall length

** Nut for piston rod thread included in scope of delivery

Short-stroke cylinders ADVC

Technical data, double-acting – with position sensing

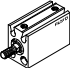
∅ [mm]	Stroke [mm]	L2 +0.2	L3	MM ∅	P1	PL	RT	T4	TG ±0.1	WH	ZJ ±0.8	≈1
32	5	38	5.7	12	9	8.5	M6	2.6	32.5	6	44	10
	10	43									49	
	15	48									54	
	20	53									59	
	25	58									64	
40	5	43	5.7	12	13.5	9.5	M6	2.6	38	6	49	10
	10	48									54	
	15	53									59	
	20	58									64	
	25	63									69	
50	10	48	6.8	16	11.3	9.5	M8	3.3	46.5	8	56	13
	15	53									61	
	20	58									66	
	25	63									71	
63	10	51	6.8	16	12.5	10.5	M8	3.3	56.5	8	59	13
	15	56									64	
	20	61									69	
	25	66									74	
80	10	59	9	20	15	8.5	M10	4.7	72	8	67	17
	15	64									72	
	20	69									77	
	25	74									82	
100	10	68	9	25	16.5	10.5	M10	6.1	89	10	78	22
	15	73									83	
	20	78									88	
	25	83									93	

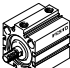
Short-stroke cylinders ADVC

Technical data, double-acting – with position sensing

FESTO

★ Core product range

Ordering data						
Type	Piston Ø [mm]	Stroke [mm]	Piston rod with male thread		Piston rod with female thread	
			Part No.	Type	Part No.	Type
	12	5	★ 188092	ADVC-12-5-A-P-A	★ 188088	ADVC-12-5-I-P-A
		10	★ 188093	ADVC-12-10-A-P-A	★ 188089	ADVC-12-10-I-P-A
	16	5	★ 188118	ADVC-16-5-A-P-A	★ 188108	ADVC-16-5-I-P-A
		10	★ 188119	ADVC-16-10-A-P-A	★ 188109	ADVC-16-10-I-P-A
		15	★ 188120	ADVC-16-15-A-P-A	★ 188110	ADVC-16-15-I-P-A
		20	★ 188121	ADVC-16-20-A-P-A	★ 188111	ADVC-16-20-I-P-A
		25	★ 188122	ADVC-16-25-A-P-A	★ 188112	ADVC-16-25-I-P-A
	20	5	★ 188150	ADVC-20-5-A-P-A	★ 188140	ADVC-20-5-I-P-A
		10	★ 188151	ADVC-20-10-A-P-A	★ 188141	ADVC-20-10-I-P-A
		15	★ 188152	ADVC-20-15-A-P-A	★ 188142	ADVC-20-15-I-P-A
		20	★ 188153	ADVC-20-20-A-P-A	★ 188143	ADVC-20-20-I-P-A
		25	★ 188154	ADVC-20-25-A-P-A	★ 188144	ADVC-20-25-I-P-A
	25	5	★ 188182	ADVC-25-5-A-P-A	★ 188172	ADVC-25-5-I-P-A
		10	★ 188183	ADVC-25-10-A-P-A	★ 188173	ADVC-25-10-I-P-A
		15	★ 188184	ADVC-25-15-A-P-A	★ 188174	ADVC-25-15-I-P-A
		20	★ 188185	ADVC-25-20-A-P-A	★ 188175	ADVC-25-20-I-P-A
		25	★ 188186	ADVC-25-25-A-P-A	★ 188176	ADVC-25-25-I-P-A


Ordering data						
Type	Piston Ø [mm]	Stroke [mm]	Piston rod with male thread		Piston rod with female thread	
			Part No.	Type	Part No.	Type
	32	5	★ 188214	ADVC-32-5-A-P-A	★ 188204	ADVC-32-5-I-P-A
		10	★ 188215	ADVC-32-10-A-P-A	★ 188205	ADVC-32-10-I-P-A
		15	★ 188216	ADVC-32-15-A-P-A	★ 188206	ADVC-32-15-I-P-A
		20	★ 188217	ADVC-32-20-A-P-A	★ 188207	ADVC-32-20-I-P-A
		25	★ 188218	ADVC-32-25-A-P-A	★ 188208	ADVC-32-25-I-P-A
	40	5	★ 188242	ADVC-40-5-A-P-A	★ 188232	ADVC-40-5-I-P-A
		10	★ 188243	ADVC-40-10-A-P-A	★ 188233	ADVC-40-10-I-P-A
		15	★ 188244	ADVC-40-15-A-P-A	★ 188234	ADVC-40-15-I-P-A
		20	★ 188245	ADVC-40-20-A-P-A	★ 188235	ADVC-40-20-I-P-A
		25	★ 188246	ADVC-40-25-A-P-A	★ 188236	ADVC-40-25-I-P-A
	50	10	★ 188268	ADVC-50-10-A-P-A	★ 188260	ADVC-50-10-I-P-A
		15	★ 188269	ADVC-50-15-A-P-A	★ 188261	ADVC-50-15-I-P-A
		20	★ 188270	ADVC-50-20-A-P-A	★ 188262	ADVC-50-20-I-P-A
		25	★ 188271	ADVC-50-25-A-P-A	★ 188263	ADVC-50-25-I-P-A
	63	10	★ 188292	ADVC-63-10-A-P-A	★ 188284	ADVC-63-10-I-P-A
		15	★ 188293	ADVC-63-15-A-P-A	★ 188285	ADVC-63-15-I-P-A
		20	★ 188294	ADVC-63-20-A-P-A	★ 188286	ADVC-63-20-I-P-A
		25	★ 188295	ADVC-63-25-A-P-A	★ 188287	ADVC-63-25-I-P-A

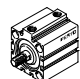
Festo core product range

- ★ Ready for dispatch from the Festo factory in 24 hours
- ☆ Ready for dispatch in 5 days maximum from stock

Short-stroke cylinders ADVC

Technical data, double-acting – with position sensing

Ordering data						
Type	Piston Ø [mm]	Stroke [mm]	Piston rod with male thread		Piston rod without thread	
			Part No.	Type	Part No.	Type
	6	5	188064	ADVC-6-5-A-P-A	526901	ADVC-6-5-P-A
		10	188065	ADVC-6-10-A-P-A	526902	ADVC-6-10-P-A
	10	5	188076	ADVC-10-5-A-P-A	526905	ADVC-10-5-P-A
		10	188077	ADVC-10-10-A-P-A	526906	ADVC-10-10-P-A
	12	5	–		530572	ADVC-12-5-P-A
		10			530573	ADVC-12-10-P-A

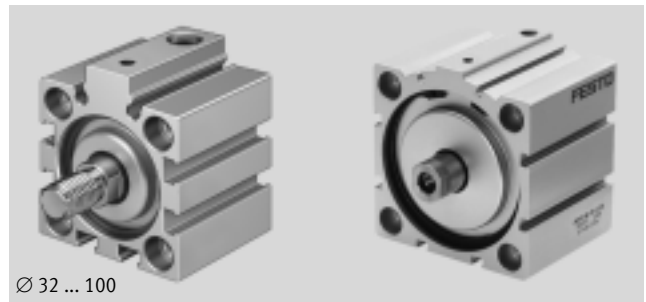
Ordering data						
Type	Piston Ø [mm]	Stroke [mm]	Piston rod with male thread		Piston rod with female thread	
			Part No.	Type	Part No.	Type
	80	10	188316	ADVC-80-10-A-P-A	188308	ADVC-80-10-I-P-A
		15	188317	ADVC-80-15-A-P-A	188309	ADVC-80-15-I-P-A
		20	188318	ADVC-80-20-A-P-A	188310	ADVC-80-20-I-P-A
		25	188319	ADVC-80-25-A-P-A	188311	ADVC-80-25-I-P-A
	100	10	188340	ADVC-100-10-A-P-A	188332	ADVC-100-10-I-P-A
		15	188341	ADVC-100-15-A-P-A	188333	ADVC-100-15-I-P-A
		20	188342	ADVC-100-20-A-P-A	188334	ADVC-100-20-I-P-A
		25	188343	ADVC-100-25-A-P-A	188335	ADVC-100-25-I-P-A

Short-stroke cylinders AEVC

Technical data, single-acting – without position sensing



- \varnothing - Diameter
4 ... 100 mm
- | - Stroke length
2.5 ... 25 mm



General technical data													
Piston Ø	4	6	10	12	16	20	25	32	40	50	63	80	100
Pneumatic connection	M3	M3	M5	M5	M5	M5	M5	G1/8	G1/8	G1/8	G1/8	G1/8	G1/4
Piston rod with female thread	-	-	-	■	■	■	■	■	■	■	■	■	■
Piston rod with male thread	■	■	■	■	■	■	■	■	■	■	■	■	■
Piston rod without thread	■	■	■	■	-	-	-	-	-	-	-	-	-
Operating medium	Compressed air in accordance with ISO 8573-1:2010 [7:4:4]												
Note on operating/pilot medium	Operation with lubricated medium possible (in which case lubricated operation will always be required)												
Constructional design	Piston												
	Piston rod												
Cushioning	Flexible cushioning rings/plates at both ends												
Type of mounting	Via through-holes							Via through-holes					
	-							Via accessories					
Mounting position	Any												

Operating conditions													
Piston Ø	4	6	10	12	16	20	25	32	40	50	63	80	100
Operating pressure [bar]	2.5 ... 8	2 ... 8	1.5 ... 8	1.5 ... 10	1 ... 10								
Ambient temperature [°C]	-20 ... +80												
Corrosion resistance class CRC ¹⁾	1												


1) Corrosion resistance class CRC 1 to Festo standard FN 940070
Low corrosion stress. For dry indoor applications or transport and storage protection. Also applies to parts behind covers, in the non-visible interior area, and parts which are covered in the application (e.g. drive trunnions).

Short-stroke cylinders AECV

Technical data, single-acting – without position sensing

Forces [N] and impact energy [J]													
Piston \varnothing	4	6	10	12	16	20	25	32	40	50	63	80	100
Theoretical force at 6 bar, advancing	5	11	41	59	105	170	270	450	700	1120	1800	2900	4500
Theoretical force at 6 bar, returning	1	3	3	4	5	10 ¹⁾	15	22	28	40	50	85	140
Max. impact energy at end positions	0.003	0.005	0.03	0.06	0.10	0.14	0.18	0.26	0.36	0.60	0.64	0.90	1.20

1) AECV-20-5-... = 5 N

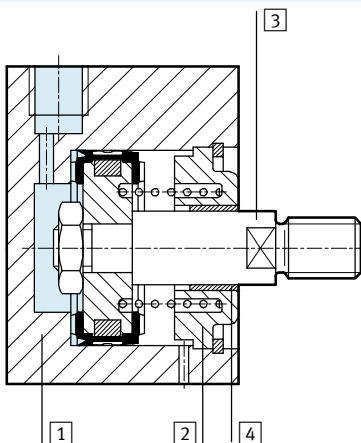
 Note The degree of friction depends upon the mounting position, and the type of load involved. Single-acting cylinders should as far as possible be operated without lateral forces.

Product weight [g]													
Stroke [mm]	Piston \varnothing												
	4	6	10	12	16	20	25	32	40	50	63	80	100
2.5	3.7	–	–	–	–	–	–	–	–	–	–	–	–
5	4.5	12	17	24	60	85	130	220	–	–	–	–	–
10	–	18	24	40	80	130	160	290	370	410	490	1900	2850
25	–	–	–	–	150	200	250	400	560	680	770	2400	3500

Moving load [g]													
Stroke [mm]	Piston \varnothing												
	4	6	10	12	16	20	25	32	40	50	63	80	100
2.5	0.15	–	–	–	–	–	–	–	–	–	–	–	–
5	0.2	1	2	4.4	8	14	22	40	–	–	–	–	–
10	–	1.4	2.6	6.9	11	21	25	48	65	105	157	327	678
25	–	–	–	–	19	32	37	62	83	140	191	365	739

Materials

Sectional view



Short-stroke cylinder	\varnothing 4	\varnothing 6 ... 100
1 Cylinder barrel	Anodised aluminium	Anodised aluminium
2 Cover cap	Anodised aluminium	Anodised aluminium
3 Piston rod	Anodised aluminium	High-alloy steel
4 Rod seal	Nitrile rubber	Polyurethane
Note on material	Free of copper and PTFE	Free of copper and PTFE

Short-stroke cylinders AEVC

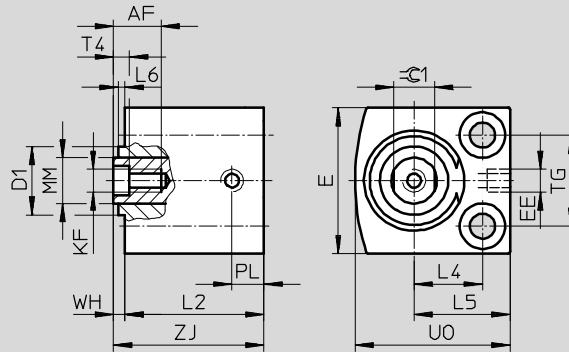
Technical data, single-acting – without position sensing



Dimensions Download CAD data → www.festo.com

Ø 4 ... 25 mm

AEVC...-I-P
Piston rod with female thread



Note

Ø 10 mm

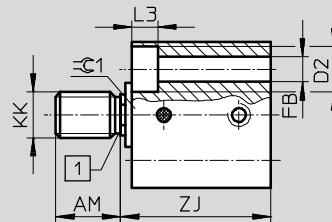
Depending on tolerance, the bearing cap may project by up to 0.65 mm.

Ø 12 mm

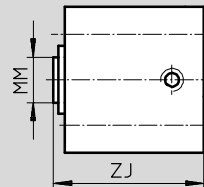
Depending on tolerance, the bearing cap may project by up to 0.35 mm.

1 No undercut with diameter 4/6/10.

AEVC...-A-P
Piston rod with male thread



AEVC...-P
Piston rod without thread



Short-stroke cylinders AVEC

Technical data, single-acting – without position sensing

∅ [mm]	Stroke [mm]	AF min.	AM -0.5	D1 ∅ max.	D2 ∅	E max.	EE	FB ∅	KF	KK	L2 +0.2	L3
4	2.5	-	6	-	3.3 ^{+0.1}	10	M3	1.8	-	M2	13	1.8
	5										15.5	
6	5	-	6	-	5 ^{+0.1}	13	M3	2.9	-	M3	16	2.9
	10										23.4	
10	5	-	8	7.5	5.8 ^{+0.1}	18	M5	3.4	-	M4	16	3.4
	10										23	
12	5	8	8	10.7	6 ^{H13}	20	M5	3.4	M3	M5	16	3.4
	10										27.5	
16	5	10	12	-	8 ^{H13}	25	M5	4.5	M4	M6	20	4.6
	10										27.5	
	25										47	
20	5	8	12	-	10 ^{H13}	32	M5	5.5	M5	M8	20	5.7
	10	12									30.5	
	25	48.5										
25	5	12	12	-	10 ^{H13}	38	M5	5.5	M5	M8	26.1	5.7
	10										31.1	
	25										50.2	

∅ [mm]	Stroke [mm]	L4	L5	L6 max.	MM ∅	PL	T4	TG ±0.1	UO max.	WH	ZJ ±0.8	≈C1
4	2.5	4	6.5	-	2	3.2	-	5.8	10	1	14	-
	5										16.5	
6	5	6	9	-	3	3	-	7	14	1	17	-
	10										24.4	
10	5	8	11.5	0.7	4	5.5	-	11	19	1	17	-
	10										24	
12	5	9	13	0.4	6	6	1.5	13	22	1	17	-
	10										28.5	
16	5	11.5	16.5	-	8	6	2	15	27	1	21	7
	10										28.5	
	25										48	
20	5	15	21	-	10	7	2	20	34	1	21	9
	10										31.5	
	25										49.5	
25	5	15.5	21.5	-	10	6.5	2	26	37	1	27.1	9
	10										32.1	
	25										51.2	

Short-stroke cylinders AEVC

Technical data, single-acting – without position sensing



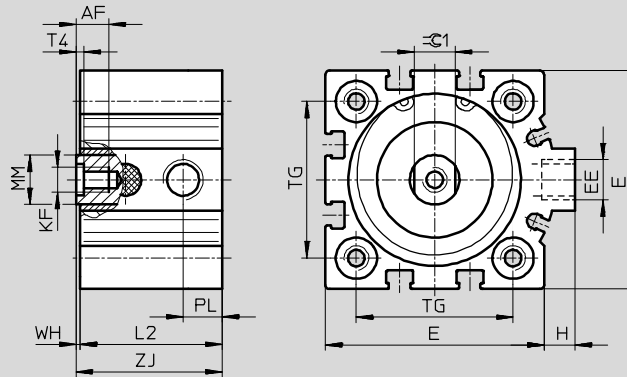
Dimensions

Download CAD data → www.festo.com

∅ 32 ... 100 mm

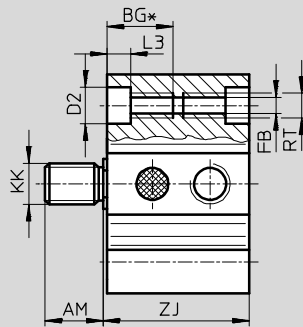
AEVC-...-I-P

Piston rod with female thread



AEVC-...-A-P**

Piston rod with male thread




∅	Stroke	AF	AM	BG*	D2	E	EE	FB	H	KF	KK	L2	L3	MM	PL	RT	T4	TG	WH	ZJ	∅C1
[mm]	[mm]	min.	-0.5	min.	F9	max.		∅				+0.2		∅				±0.1		±0.8	
32	5	12	14	21.7	9	45	G1/8	5.2	7	M6	M10x1.25	26	5.7	12	9.5	M6	2.6	32.5	1	27	10
	35											36									
	50											51									
40	10	12	14	21.7	9	53.5	G1/8	5.2	7	M6	M10x1.25	34.5	5.7	12	9.5	M6	2.6	38	1	35.5	10
	54.5											55.5									
50	10	16	16	22.8	11	63.5	G1/8	6.8	7	M8	M12x1.25	30.6	6.8	16	9.5	M8	3.3	46.5	0.5	31.1	13
	53											53.5									
63	10	16	16	22.8	11	75	G1/8	6.8	7.5	M8	M12x1.25	35	6.8	16	11.5	M8	3.3	56.5	1	36	13
	57											58									
80	10	20	22	25	14	93	G1/8	8.5	7	M10	M16x1.5	52	9	20	15	M10	4.7	72	1	53	17
	67											68									
100	10	24	28	25	14	113	G1/4	8.5	13	M12	M20x1.5	59	9	25	19	M10	6.1	89	1	60	22
	74											75									

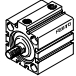
* Continuous thread with short overall length

** Nut for piston rod thread included in scope of delivery

Short-stroke cylinders AEVC

Technical data, single-acting – without position sensing

Ordering data						
Type	Piston Ø [mm]	Stroke [mm]	Piston rod with male thread		Piston rod with female thread	
			Part No.	Type	Part No.	Type
	12	5	★ 188086	AEVC-12-5-A-P	★ 188082	AEVC-12-5-I-P
		10	★ 188087	AEVC-12-10-A-P	★ 188083	AEVC-12-10-I-P
	16	5	★ 188105	AEVC-16-5-A-P	★ 188099	AEVC-16-5-I-P
		10	★ 188106	AEVC-16-10-A-P	★ 188100	AEVC-16-10-I-P
		25	★ 188107	AEVC-16-25-A-P	★ 188101	AEVC-16-25-I-P
	20	5	★ 188137	AEVC-20-5-A-P	★ 188131	AEVC-20-5-I-P
		10	★ 188138	AEVC-20-10-A-P	★ 188132	AEVC-20-10-I-P
		25	★ 188139	AEVC-20-25-A-P	★ 188133	AEVC-20-25-I-P
	25	5	★ 188169	AEVC-25-5-A-P	★ 188163	AEVC-25-5-I-P
		10	★ 188170	AEVC-25-10-A-P	★ 188164	AEVC-25-10-I-P
		25	★ 188171	AEVC-25-25-A-P	★ 188165	AEVC-25-25-I-P

Ordering data						
Type	Piston Ø [mm]	Stroke [mm]	Piston rod with male thread		Piston rod with female thread	
			Part No.	Type	Part No.	Type
	32	5	★ 188201	AEVC-32-5-A-P	★ 188195	AEVC-32-5-I-P
		10	★ 188202	AEVC-32-10-A-P	★ 188196	AEVC-32-10-I-P
		25	★ 188203	AEVC-32-25-A-P	★ 188197	AEVC-32-25-I-P
	40	10	★ 188230	AEVC-40-10-A-P	★ 188226	AEVC-40-10-I-P
		25	★ 188231	AEVC-40-25-A-P	★ 188227	AEVC-40-25-I-P
	50	10	★ 188258	AEVC-50-10-A-P	★ 188254	AEVC-50-10-I-P
		25	★ 188259	AEVC-50-25-A-P	★ 188255	AEVC-50-25-I-P
	63	10	★ 188282	AEVC-63-10-A-P	★ 188278	AEVC-63-10-I-P
		25	★ 188283	AEVC-63-25-A-P	★ 188279	AEVC-63-25-I-P


Festo core product range

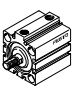
- ★ Ready for dispatch from the Festo factory in 24 hours
- ☆ Ready for dispatch in 5 days maximum from stock

Short-stroke cylinders AEVC

FESTO

Technical data, single-acting – without position sensing

Ordering data						
Type	Piston Ø [mm]	Stroke [mm]	Piston rod with male thread		Piston rod without thread	
			Part No.	Type	Part No.	Type
	4	2.5	188052	AEVC-4-2,5-A-P	188050	AEVC-4-2,5-P
		5	188053	AEVC-4-5-A-P	188051	AEVC-4-5-P
	6	5	188062	AEVC-6-5-A-P	188058	AEVC-6-5-P
		10	188063	AEVC-6-10-A-P	188059	AEVC-6-10-P
	10	5	188074	AEVC-10-5-A-P	188070	AEVC-10-5-P
		10	188075	AEVC-10-10-A-P	188071	AEVC-10-10-P
	12	5	–		530566	AEVC-12-5-P
		10			530567	AEVC-12-10-P

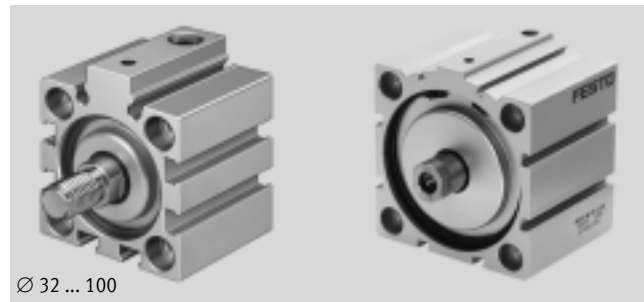
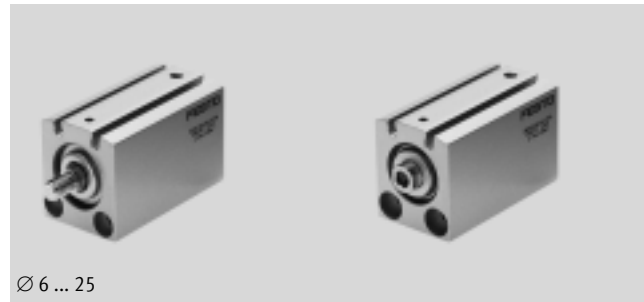
Ordering data						
Type	Piston Ø [mm]	Stroke [mm]	Piston rod with male thread		Piston rod with female thread	
			Part No.	Type	Part No.	Type
	80	10	188306	AEVC-80-10-A-P	188302	AEVC-80-10-I-P
		25	188307	AEVC-80-25-A-P	188303	AEVC-80-25-I-P
	100	10	188330	AEVC-100-10-A-P	188326	AEVC-100-10-I-P
		25	188331	AEVC-100-25-A-P	188327	AEVC-100-25-I-P

Short-stroke cylinders AEVC

Technical data, single-acting – with position sensing



- \varnothing - Diameter
6 ... 100 mm
- | - Stroke length
5 ... 25 mm



General technical data												
Piston Ø	6	10	12	16	20	25	32	40	50	63	80	100
Pneumatic connection	M3	M5	M5	M5	M5	M5	G1/8	G1/8	G1/8	G1/8	G1/8	G1/4
Piston rod with female thread	-	-	■	■	■	■	■	■	■	■	■	■
Piston rod with male thread	■	■	■	■	■	■	■	■	■	■	■	■
Piston rod without thread	■	■	■	-	-	-	-	-	-	-	-	-
Operating medium	Compressed air in accordance with ISO 8573-1:2010 [7:4:4]											
Note on operating/pilot medium	Operation with lubricated medium possible (in which case lubricated operation will always be required)											
Constructional design	Piston											
	Piston rod											
Cushioning	Flexible cushioning rings/plates at both ends											
Position sensing	For proximity sensing											
Type of mounting	Via through-holes						Via through-holes					
	-						Via accessories					
Mounting position	Any											

Operating conditions												
Piston Ø	6	10	12	16	20	25	32	40	50	63	80	100
Operating pressure [bar]	2 ... 8	1.5 ... 8	1.5 ... 10				1 ... 10					
Ambient temperature [°C]	-20 ... +80 (note operating range of proximity sensors)											
Corrosion resistance class CRC ¹⁾	1											

1) Corrosion resistance class CRC 1 to Festo standard FN 940070
Low corrosion stress. For dry indoor applications or transport and storage protection. Also applies to parts behind covers, in the non-visible interior area, and parts which are covered in the application (e.g. drive trunnions).

Short-stroke cylinders AEVC

Technical data, single-acting – with position sensing



Forces [N] and impact energy [J]												
Piston Ø	6	10	12	16	20	25	32	40	50	63	80	100
Theoretical force at 6 bar, advancing	11	41	59	105	170	270	450	700	1120	1800	2900	4500
Theoretical force at 6 bar, returning	3	3	4	5	10 ¹⁾	15	22	28	40	50	85	140
Max. impact energy at end positions	0.005	0.03	0.06	0.10	0.14	0.18	0.26	0.36	0.60	0.64	0.90	1.20

1) AEVC-20-5-... = 5 N

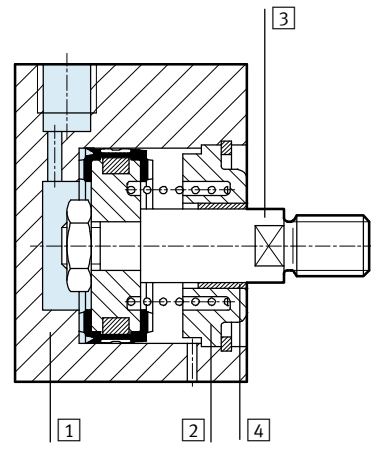
- Note The degree of friction depends upon the mounting position, and the type of load involved. Single-acting cylinders should as far as possible be operated without lateral forces.

Product weight [g]												
Stroke [mm]	Piston Ø											
	6	10	12	16	20	25	32	40	50	63	80	100
5	19	37	70	95	160	195	320	-	-	-	-	-
10	23	44	79	105	170	205	340	490	630	720	1940	2970
25	-	-	-	130	200	250	390	580	730	870	3290	3220

Moving load [g]												
Stroke [mm]	Piston Ø											
	6	10	12	16	20	25	32	40	50	63	80	100
5	1.5	3	8.5	15	26	32	49	-	-	-	-	-
10	1.8	3.5	9.5	17	29	35	54	70	116	155	284	546
25	-	-	-	26	40	47	67	83	140	179	321	604

Materials

Sectional view



Short-stroke cylinder	
1	Cylinder barrel Anodised aluminium
2	Cover cap Anodised aluminium
3	Piston rod High-alloy steel
4	Rod seal Polyurethane
Note on material Free of copper and PTFE	

Short-stroke cylinders AEVC

Technical data, single-acting – with position sensing

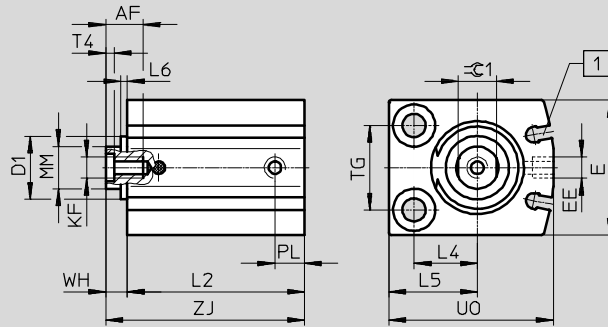
Dimensions

Download CAD data → www.festo.com

∅ 6 ... 25 mm

AEVC-...-I-P-A

Piston rod with female thread



- Note

∅ 10 mm

Depending on tolerance, the bearing cap may project by up to 0.65 mm.

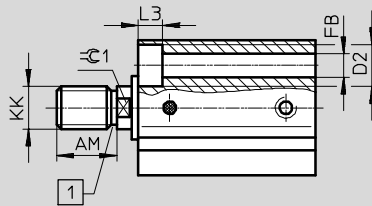
∅ 12 mm

Depending on tolerance, the bearing cap may project by up to 0.35 mm.

1 No undercut with diameter 6/10.

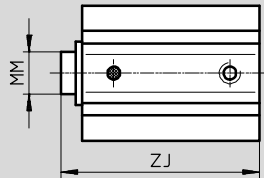
AEVC-...-A-P-A

Piston rod with male thread



AEVC-...-P-A

Piston rod without thread



1 Slot for proximity sensor SME/SMT-10

Short-stroke cylinders AEVC

Technical data, single-acting – with position sensing

FESTO

∅ [mm]	Stroke [mm]	AF min.	AM -0.5	D1 ∅ max.	D2 ∅	E max.	EE	FB ∅	KF	KK	L2 +0.2	L3
6	5	-	6	-	5 +0.1	16	M3	2.9	-	M3	25.5	2.9
	10										30.5	
10	5	-	8	7.5	5.8 +0.1	21	M5	3.4	-	M4	27	3.4
	10										32	
12	5	8	8	10.7	6 H13	24	M5	3.4	M3	M5	36	3.4
	10										41	
16	5	10	12	-	8 H13	28	M5	4.5	M4	M6	35	4.6
	10										40	
	25										59.5	
20	5	12	12	-	10 H13	32	M5	5.5	M5	M8	37	5.7
	10										42	
	25										60	
25	5	12	12	-	10 H13	38	M5	5.5	M5	M8	37	5.7
	10										42	
	25										61.1	

∅ [mm]	Stroke [mm]	L4	L5	L6 max.	MM ∅	PL	T4	TG ±0.1	UO max.	WH	ZJ ±0.8	≈1
6	5	5	8	-	3	3	-	10	16	1	26.5	-
	10										31.5	
10	5	7	10.5	0.7	4	6	-	14	22	1.5	28.5	-
	10										33.5	
12	5	8	12	0.4	6	6	1.5	16	26	4	40	5
	10										45	
16	5	12	17	-	8	6	2	18	32	4	39	7
	10										44	
	25										63.5	
20	5	15	21	-	10	7	2	20	39	5	42	9
	10										47	
	25										65	
25	5	15.5	21.5	-	10	6	2	26	42	5	42	9
	10										47	
	25										66.1	

Short-stroke cylinders AEVC

Technical data, single-acting – with position sensing

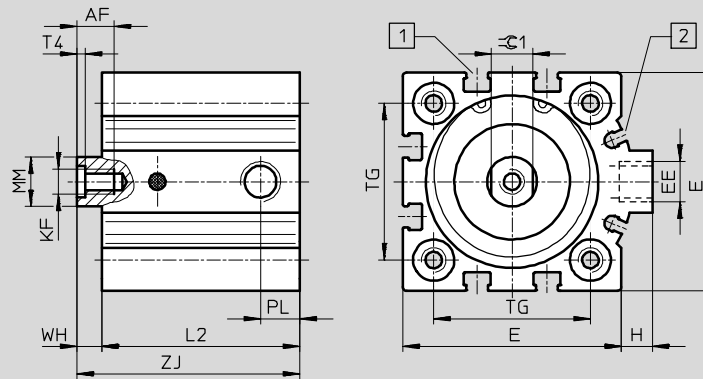
Dimensions

Download CAD data → www.festo.com

∅ 32 ... 100 mm

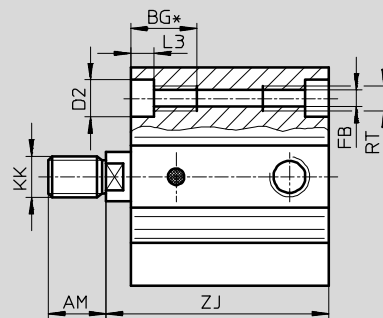
AEVC-...-I-P-A

Piston rod with female thread



AEVC-...-A-P-A**

Piston rod with male thread



- 1 Slot for proximity sensor SME/SMT-8
- 2 Slot for proximity sensor SME/SMT-10

∅	Stroke [mm]	AF min.	AM -0.5	BG* min.	D2 ∅ F9	E max.	EE	FB ∅	H	KF	KK	L2 +0.2	L3	MM ∅	PL	RT	T4	TG ±0.1	WH	ZJ ±0.8	≈C1
32	5	12	14	21.7	9	45	G1/8	5.2	7	M6	M10x1.25	38	5.7	12	8.5	M6	2.6	32.5	6	44	10
	10											43								49	
	25											58								64	
40	10	12	14	21.7	9	53.5	G1/8	5.2	7	M6	M10x1.25	48	5.7	12	9.5	M6	2.6	38	6	54	10
	25											63								69	
50	10	16	16	22.8	11	63.5	G1/8	6.8	7	M8	M12x1.25	50	6.8	16	9.5	M8	3.3	46.5	8	58	13
	25											65								73	
63	10	16	16	22.8	11	75	G1/8	6.8	7.5	M8	M12x1.25	51	6.8	16	10.5	M8	3.3	56.5	8	59	13
	25											66								74	
80	10	20	22	25	14	93	G1/8	8.5	7	M10	M16x1.5	59	9	20	8.5	M10	4.7	72	8	67	17
	25											74								82	
100	10	24	28	25	14	113	G1/4	8.5	13	M12	M20x1.5	68	9	25	10.5	M10	6.1	89	10	78	22
	25											83								93	

* Continuous thread with short overall length

** Nut for piston rod thread included in scope of delivery

Short-stroke cylinders AEVC

Technical data, single-acting – with position sensing



Ordering data								
Type	Piston Ø [mm]	Stroke [mm]	Piston rod with male thread		Piston rod with female thread		Piston rod without thread	
			Part No.	Type	Part No.	Type	Part No.	Type
	6	5	188060	AEVC-6-5-A-P-A	-		188056	AEVC-6-5-P-A
		10	188061	AEVC-6-10-A-P-A			188057	AEVC-6-10-P-A
	10	5	188072	AEVC-10-5-A-P-A	-		188068	AEVC-10-5-P-A
		10	188073	AEVC-10-10-A-P-A			188069	AEVC-10-10-P-A
	12	5	188084	AEVC-12-5-A-P-A	188080	AEVC-12-5-I-P-A	530570	AEVC-12-5-P-A
		10	188085	AEVC-12-10-A-P-A	188081	AEVC-12-10-I-P-A	530571	AEVC-12-10-P-A
	16	5	188102	AEVC-16-5-A-P-A	188096	AEVC-16-5-I-P-A	-	
		10	188103	AEVC-16-10-A-P-A	188097	AEVC-16-10-I-P-A		
		25	188104	AEVC-16-25-A-P-A	188098	AEVC-16-25-I-P-A		
	20	5	188134	AEVC-20-5-A-P-A	188128	AEVC-20-5-I-P-A	-	
		10	188135	AEVC-20-10-A-P-A	188129	AEVC-20-10-I-P-A		
		25	188136	AEVC-20-25-A-P-A	188130	AEVC-20-25-I-P-A		
	25	5	188166	AEVC-25-5-A-P-A	188160	AEVC-25-5-I-P-A	-	
		10	188167	AEVC-25-10-A-P-A	188161	AEVC-25-10-I-P-A		
		25	188168	AEVC-25-25-A-P-A	188162	AEVC-25-25-I-P-A		

Ordering data								
Type	Piston Ø [mm]	Stroke [mm]	Piston rod with male thread		Piston rod with female thread			
			Part No.	Type	Part No.	Type		
	32	5	188198	AEVC-32-5-A-P-A	188192	AEVC-32-5-I-P-A		
		10	188199	AEVC-32-10-A-P-A	188193	AEVC-32-10-I-P-A		
		25	188200	AEVC-32-25-A-P-A	188194	AEVC-32-25-I-P-A		
	40	10	188228	AEVC-40-10-A-P-A		188224	AEVC-40-10-I-P-A	
		25	188229	AEVC-40-25-A-P-A		188225	AEVC-40-25-I-P-A	
	50	10	188256	AEVC-50-10-A-P-A		188252	AEVC-50-10-I-P-A	
		25	188257	AEVC-50-25-A-P-A		188253	AEVC-50-25-I-P-A	
	63	10	188280	AEVC-63-10-A-P-A		188276	AEVC-63-10-I-P-A	
		25	188281	AEVC-63-25-A-P-A		188277	AEVC-63-25-I-P-A	
	80	10	188304	AEVC-80-10-A-P-A		188300	AEVC-80-10-I-P-A	
		25	188305	AEVC-80-25-A-P-A		188301	AEVC-80-25-I-P-A	
	100	10	188328	AEVC-100-10-A-P-A		188324	AEVC-100-10-I-P-A	
		25	188329	AEVC-100-25-A-P-A		188325	AEVC-100-25-I-P-A	

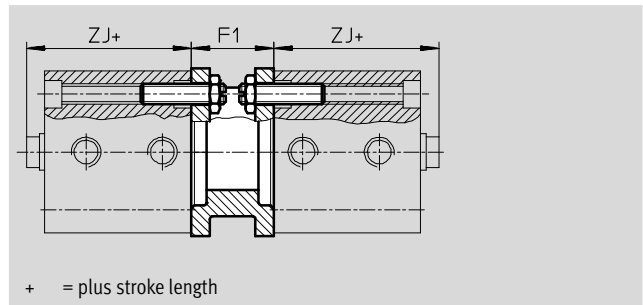
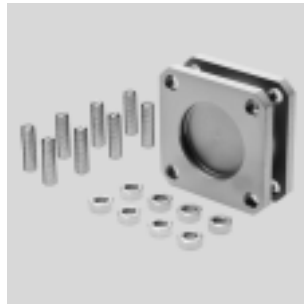
Short-stroke cylinders ADVC/AEVC

Accessories

Adapter kit DPNC

Material:

- Flange: Wrought aluminium alloy
- Threaded studs, hex nuts: Galvanised steel
- Free of copper and PTFE
- RoHS-compliant



Dimensions and ordering data									
For Ø [mm]	Stroke [mm]	F1	ZJ				Weight [g]	Part No.	Type
			without position sensing		with position sensing				
			ADVC	AEVC	ADVC	AEVC			
32	5	27	35	22	39	39	292	174418	DPNC-32
	10, 15, 20, 25			26					
40	5, 10	27	35.5	25.5	44	44	410	174419	DPNC-40
	15, 20, 25			30.5					
50	10	32	36	21.1	46	48	335	174420	DPNC-50
	15, 20, 25			28.5					
63	10	28	43	26	49	49	390	174421	DPNC-63
	15, 20, 25			33					
80	10, 15, 20, 25	38	48	43	57	57	847	174422	DPNC-80
100	10, 15, 20, 25	38	59	50	68	68	1200	174423	DPNC-100

Connecting two cylinders with identical piston Ø as a 3 or 4-position cylinder

A 3 or 4-position cylinder consists of two separate cylinders whose piston rods advance in opposing directions.

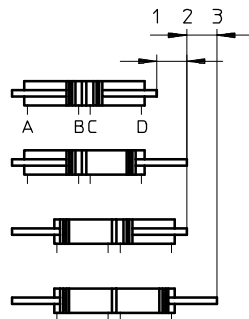
This means that depending upon actuation and stroke pattern, this type of cylinder can assume up to four

positions. In each case the cylinder is driven precisely against a stop. Note that when one end of the piston rod is

fixed, the cylinder barrel executes the movement. The cylinder must be connected with flexible line connections.

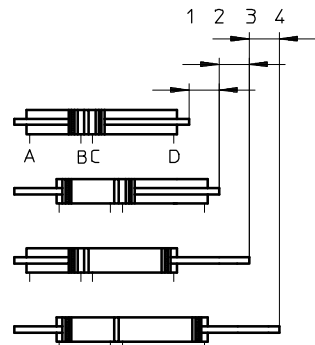
To achieve 3 positions

Two cylinders with identical stroke length must be connected together.



To achieve 4 positions

Two cylinders with different stroke lengths must be connected together.



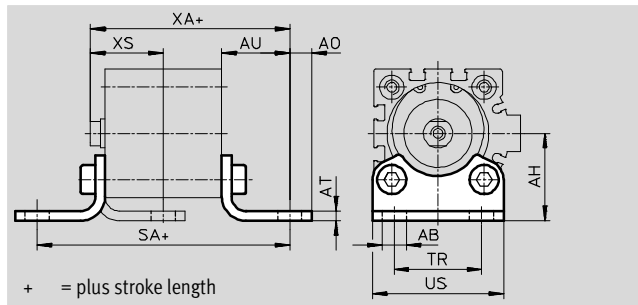
Short-stroke cylinders ADVC/AEVC



Accessories

Foot mounting HNC

Material:
Galvanised steel
Free of copper and PTFE



Dimensions and ordering data												
For Ø [mm]	Stroke [mm]	AB Ø	AH	AO	AT	AU	SA				TR	US
							without position sensing		with position sensing			
							ADVC	AEVC	ADVC	AEVC		
32	5	7	32	6.5	4	24	77	69	81	81	32	45
	10, 15, 20, 25							73				
40	5, 10	10	36	9	4	28	85.5	80.5	94	94	36	54
	15, 20, 25							85.5				
50	10	10	45	9.5	5	32	92	84.6	102	104	45	64
	15, 20, 25							92				
63	10	10	50	12.5	5	32	99	89	105	105	50	75
	15, 20, 25							96				
80	10, 15, 20, 25	12	63	15	6	41	122	124	131	131	63	93
100	10, 15, 20, 25	14.5	71	17.5	6	41	131	131	140	140	75	110

For Ø [mm]	Stroke [mm]	XA				XS				CRC ¹⁾	Weight [g]	Part No.	Type
		without position sensing		with position sensing		without position sensing		with position sensing					
		ADVC	AEVC	ADVC	AEVC	ADVC	AEVC	ADVC	AEVC				
32	5	59	46	63	63	26	21	26	26	2	144	★ 174369	HNC-32
	10, 15, 20, 25		50										
40	5, 10	63.5	53.5	72	72	30	25	30	30	2	193	★ 174370	HNC-40
	15, 20, 25		58.5										
50	10	68	53.1	78	80	35	27.5	35	35	2	353	★ 174371	HNC-50
	15, 20, 25		60.5										
63	10	75	58	81	81	35	28	35	35	2	436	★ 174372	HNC-63
	15, 20, 25		65										
80	10, 15, 20, 25	89	84	98	98	43	36	43	43	2	829	★ 174373	HNC-80
100	10, 15, 20, 25	100	91	109	109	45	36	45	45	2	1009	174374	HNC-100

1) Corrosion resistance class CRC 2 to Festo standard FN 940070
Moderate corrosion stress. Indoor applications in which condensation may occur. External visible parts with primarily decorative requirements for the surface and which are in direct contact with the ambient atmosphere typical for industrial applications.

- Note
Screws with special lengths are required to fit the sizes Ø 80 mm and Ø 100 mm.
Ø 80, 100: M10x30

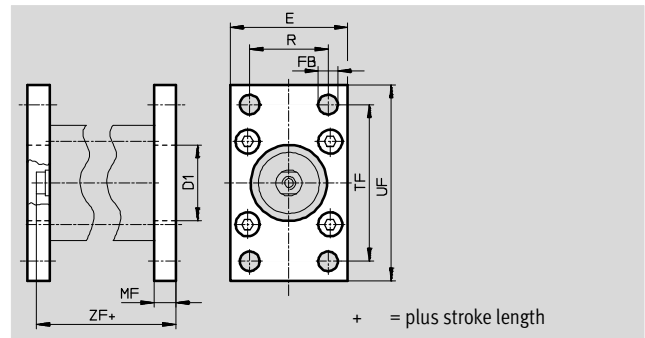
Festo core product range ★ Ready for dispatch from the Festo factory in 24 hours
☆ Ready for dispatch in 5 days maximum from stock

Short-stroke cylinders ADVC/AEVC

Accessories

Flange mounting FNC


Material:
Galvanised steel
Free of copper and PTFE
RoHS-compliant



Dimensions and ordering data								
For \varnothing	Stroke	D1	E	FB	MF	R	TF	UF
[mm]	[mm]	\varnothing H11		\varnothing H13				
32	5	30	45	7	10	32	64	80
	10, 15, 20, 25							
40	5, 10	35	54	9	10	36	72	90
	15, 20, 25							
50	10	40	65	9	12	45	90	110
	15, 20, 25							
63	10	45	75	9	12	50	100	120
	15, 20, 25							
80	10, 15, 20, 25	45	93	12	16	63	126	150
100	10, 15, 20, 25	55	110	14	16	75	150	175

For \varnothing	Stroke	ZF				CRC ¹⁾	Weight	Part No.	Type
		without position sensing		with position sensing					
[mm]	[mm]	ADVC	AEVC	ADVC	AEVC		[g]		
32	5	45	32	49	49	1	221	★ 174376	FNC-32
	10, 15, 20, 25		36						
40	5, 10	45.5	35.5	54	54	1	291	★ 174377	FNC-40
	15, 20, 25		40.5						
50	10	48	33.5	58	60	1	536	★ 174378	FNC-50
	15, 20, 25		40.5						
63	10	55	38	61	61	1	679	★ 174379	FNC-63
	15, 20, 25		45						
80	10, 15, 20, 25	64	59	73	73	1	1495	★ 174380	FNC-80
100	10, 15, 20, 25	75	66	84	84	1	2041	174381	FNC-100

1) Corrosion resistance class CRC 1 to Festo standard FN 940070
Low corrosion stress. For dry indoor applications or transport and storage protection. Also applies to parts behind covers, in the non-visible interior area, and parts which are covered in the application (e.g. drive trunnions).

 Note
Screws with special lengths are required to fit the sizes \varnothing 80 mm and \varnothing 100 mm.
 \varnothing 80, 100: M10x30

Festo core product range ★ Ready for dispatch from the Festo factory in 24 hours
 ☆ Ready for dispatch in 5 days maximum from stock

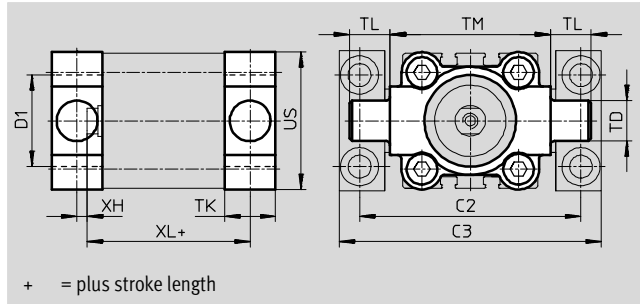
Short-stroke cylinders ADVC/AEVC



Accessories

Trunnion flange ZNCF

Material:
Special steel casting
Free of copper and PTFE
RoHS-compliant



Dimensions and ordering data										
For \varnothing	Stroke	C2	C3	D1	TD	TK	TL	TM	US	XH
[mm]	[mm]			\varnothing H11	\varnothing e9					
32	5	71	86	30	12	16	12	50	45	2
	10, 15, 20, 25									
40	5, 10	87	105	35	16	20	16	63	54	4
	15, 20, 25									
50	10	99	117	40	16	24	16	75	64	4
	15, 20, 25									
63	10	116	136	45	20	24	20	90	75	4
	15, 20, 25									
80	10, 15, 20, 25	136	156	45	20	28	20	110	93	6
100	10, 15, 20, 25	164	189	55	25	38	25	132	110	9

For \varnothing	Stroke	XL				CRC ¹⁾	Weight	Part No.	Type
		without position sensing		with position sensing					
[mm]	[mm]	ADVC	AEVC	ADVC	AEVC		[g]		
32	5	43	30	47	47	2	150	174411	ZNCF-32
	10, 15, 20, 25		34						
40	5, 10	45.5	35.5	54	54	2	285	174412	ZNCF-40
	15, 20, 25		40.5						
50	10	48	33.1	58	60	2	473	174413	ZNCF-50
	15, 20, 25		40.5						
63	10	55	38	61	61	2	687	174414	ZNCF-63
	15, 20, 25		45						
80	10, 15, 20, 25	62	57	71	71	2	1296	174415	ZNCF-80
100	10, 15, 20, 25	78	69	87	87	2	2254	174416	ZNCF-100

1) Corrosion resistance class CRC 2 to Festo standard FN 940070
Moderate corrosion stress. Indoor applications in which condensation may occur. External visible parts with primarily decorative requirements for the surface and which are in direct contact with the ambient atmosphere typical for industrial applications.

- - Note
Screws with special lengths are required to fit the sizes \varnothing 80 mm and \varnothing 100 mm.
 \varnothing 80: M10x40
 \varnothing 100: M10x50

Short-stroke cylinders ADVC/AEVC

Accessories

Trunnion support LNZG

Material:

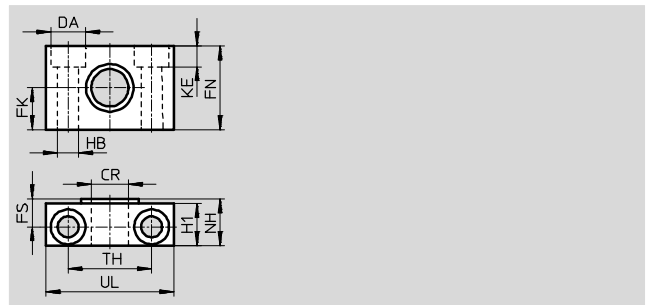
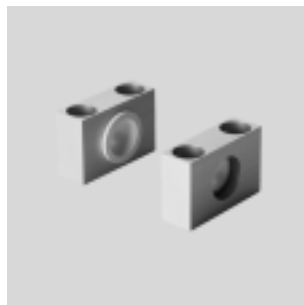
Trunnion support:

Anodised aluminium

Plain bearing: Plastic

Free of copper and PTFE

RoHS-compliant



Dimensions and ordering data														Part No.	Type
For \varnothing	CR	DA	FK	FN	FS	H1	HB	KE	NH	TH	UL	CRC ¹⁾	Weight		
[mm]	\varnothing D11	\varnothing H13	\varnothing ± 0.1				\varnothing H13			± 0.2			[g]		
32	12	11	15	30	10.5	15	6.6	6.8	18	32	46	2	83	32959	LNZG-32
40, 50	16	15	18	36	12	18	9	9	21	36	55	2	129	32960	LNZG-40/50
63, 80	20	18	20	40	13	20	11	11	23	42	65	2	178	32961	LNZG-63/80
100	25	20	25	50	16	24.5	14	13	28.5	50	75	2	306	32962	LNZG-100/125

1) Corrosion resistance class CRC 2 to Festo standard FN 940070

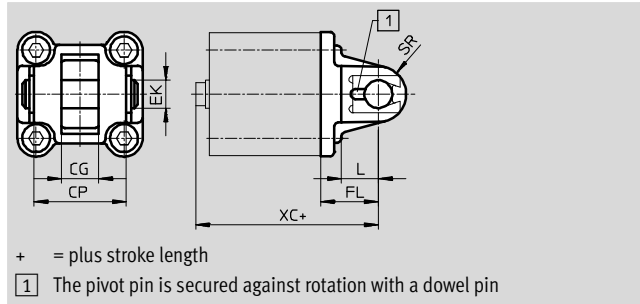
Moderate corrosion stress. Indoor applications in which condensation may occur. External visible parts with primarily decorative requirements for the surface and which are in direct contact with the ambient atmosphere typical for industrial applications.

Short-stroke cylinders ADVC/AEVC

Accessories

Swivel flange SNC

Material:
Die-cast aluminium
Free of copper and PTFE
RoHS-compliant



Dimensions and ordering data							
For Ø	Stroke	CG	CP	EK	FL	L	SR
[mm]	[mm]	H14	h14	Ø h9	±0.2		
32	5	14	34	10	22	13	10
	10, 15, 20, 25						
40	5, 10	16	40	12	25	16	12
	15, 20, 25						
50	10	21	45	16	27	16	12
	15, 20, 25						
63	10	21	51	16	32	21	16
	15, 20, 25						
80	10, 15, 20, 25	25	65	20	36	22	16
100	10, 15, 20, 25	25	75	20	41	27	20

For Ø	Stroke	XC				CRC ¹⁾	Weight	Part No.	Type
		without position sensing		with position sensing					
[mm]	[mm]	ADVC	AEVC	ADVC	AEVC		[g]		
32	5	57	44	61	61	2	93	★ 174383	SNC-32
	10, 15, 20, 25		48						
40	5, 10	60.5	50.5	69	69	2	140	★ 174384	SNC-40
	15, 20, 25		55.5						
50	10	63	48.1	73	75	2	234	★ 174385	SNC-50
	15, 20, 25		55.5						
63	10	75	58	81	81	2	331	★ 174386	SNC-63
	15, 20, 25		65						
80	10, 15, 20, 25	84	79	93	93	2	618	★ 174387	SNC-80
100	10, 15, 20, 25	100	91	109	109	2	865	174388	SNC-100

1) Corrosion resistance class CRC 2 to Festo standard FN 940070
Moderate corrosion stress. Indoor applications in which condensation may occur. External visible parts with primarily decorative requirements for the surface and which are in direct contact with the ambient atmosphere typical for industrial applications.

- - Note
Screws with special lengths are required to fit the sizes Ø 80 mm and Ø 100 mm.
Ø 80, 100: M10x30

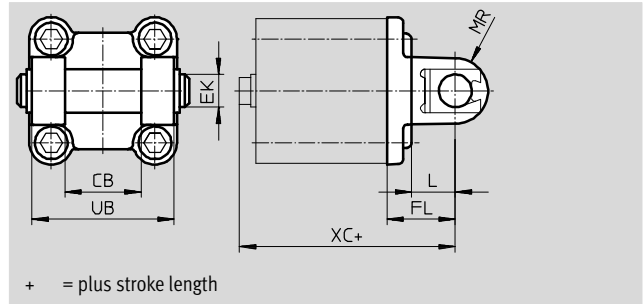
Festo core product range ★ Ready for dispatch from the Festo factory in 24 hours
☆ Ready for dispatch in 5 days maximum from stock

Short-stroke cylinders ADVC/AEVC

Accessories

Swivel flange SNCB

Material:
Die-cast aluminium
Free of copper and PTFE
RoHS-compliant



Dimensions and ordering data								
For \varnothing	Stroke	CB	EK	FL	L	ML	MR	UB
[mm]	[mm]	H14	\varnothing e8	± 0.2				h14
32	5	26	10	22	13	55	8.5	45
	10, 15, 20, 25							
40	5, 10	28	12	25	16	63	12	52
	15, 20, 25							
50	10	32	12	27	16	71	12	60
	15, 20, 25							
63	10	40	16	32	21	83	16	70
	15, 20, 25							
80	10, 15, 20, 25	50	16	36	22	103	16	90
100	10, 15, 20, 25	60	20	41	27	127	20	110

For \varnothing	Stroke	XC				CRC ¹⁾	Weight	Part No.	Type
		without position sensing		with position sensing					
[mm]	[mm]	ADVC	AEVC	ADVC	AEVC		[g]		
32	5	57	44	61	61	1	103	★ 174390	SNCB-32
	10, 15, 20, 25		48						
40	5, 10	60.5	50.5	69	69	1	155	★ 174391	SNCB-40
	15, 20, 25		55.5						
50	10	63	48.1	73	75	1	232	★ 174392	SNCB-50
	15, 20, 25		55.5						
63	10	75	58	81	81	1	375	★ 174393	SNCB-63
	15, 20, 25		65						
80	10, 15, 20, 25	84	79	93	93	1	636	★ 174394	SNCB-80
100	10, 15, 20, 25	100	91	109	109	1	1035	174395	SNCB-100

1) Corrosion resistance class CRC 1 to Festo standard FN 940070
Low corrosion stress. For dry indoor applications or transport and storage protection. Also applies to parts behind covers, in the non-visible interior area, and parts which are covered in the application (e.g. drive trunnions).
Corrosion resistance class CRC 2 to Festo standard FN 940070
Moderate corrosion stress. Indoor applications in which condensation may occur. External visible parts with primarily decorative requirements for the surface and which are in direct contact with the ambient atmosphere typical for industrial applications.

Note
Screws with special lengths are required to fit the sizes \varnothing 80 mm and \varnothing 100 mm.
 \varnothing 80, 100: M10x30

Festo core product range ★ Ready for dispatch from the Festo factory in 24 hours
 ☆ Ready for dispatch in 5 days maximum from stock

Short-stroke cylinders ADVC/AEVC

Accessories

FESTO

Swivel flange SNCS

Material:

SNCS 32 ... 50:

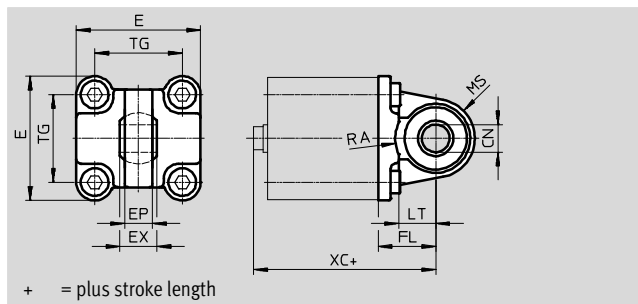
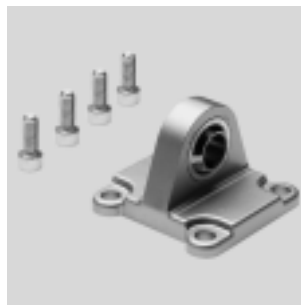
Die-cast aluminium

SNCS 63 ... 100:

Wrought aluminium alloy

Free of copper and PTFE

RoHS-compliant



Dimensions and ordering data

For Ø [mm]	Stroke [mm]	CN Ø	E	EP ±0.2	EX	FL ±0.2	LT	MS	RA +1	TG
32	5	10 ^{+0.013}	45 ^{+0.2/-0.5}	10.5	14	22	13	15 ^{+0.5}	14.5	32.5
	10, 15, 20, 25									
40	5, 10	12 ^{+0.015}	54 ^{-0.5}	12	16	25	16	17 ^{+0.5}	17.5	38
	15, 20, 25									
50	10	16 ^{+0.015}	64 ^{-0.6}	15	21	27	16	20 ^{+0.5}	18.5	46.5
	15, 20, 25									
63	10	16 ^{+0.015}	74,5 ^{+0.5}	15	21	32	21	23 ^{-0.5}	23	56.5
	15, 20, 25									
80	10, 15, 20, 25	20 ^{+0.018}	92,2 ^{+0.8}	18	25	36	22	28 ^{-0.5}	25	72
100	10, 15, 20, 25	20 ^{+0.018}	109 ^{+1/-0.7}	18	25	41	27	30 ^{±0.5}	95	89

For Ø [mm]	Stroke [mm]	XC				CRC ¹⁾	Weight [g]	Part No.	Type
		without position sensing		with position sensing					
		ADVC	AEVC	ADVC	AEVC				
32	5	57	44	61	61	1	86	★ 174397	SNCS-32
	10, 15, 20, 25		48						
40	5, 10	60.5	50.5	69	69	1	122	★ 174398	SNCS-40
	15, 20, 25		55.5						
50	10	63	48.1	73	75	1	216	★ 174399	SNCS-50
	15, 20, 25		55.5						
63	10	75	58	81	81	2	281	★ 174400	SNCS-63
	15, 20, 25		65						
80	10, 15, 20, 25	84	79	93	93	2	557	★ 174401	SNCS-80
100	10, 15, 20, 25	100	91	109	109	2	683	174402	SNCS-100

1) Corrosion resistance class CRC 1 to Festo standard FN 940070

Low corrosion stress. For dry indoor applications or transport and storage protection. Also applies to parts behind covers, in the non-visible interior area, and parts which are covered in the application (e.g. drive trunnions).

Corrosion resistance class CRC 2 to Festo standard FN 940070

Moderate corrosion stress. Indoor applications in which condensation may occur. External visible parts with primarily decorative requirements for the surface and which are in direct contact with the ambient atmosphere typical for industrial applications.

Note

Screws with special lengths are required to fit the sizes Ø 80 mm and Ø 100 mm.

Ø 80, 100: M10x30

Festo core product range

★ Ready for dispatch from the Festo factory in 24 hours

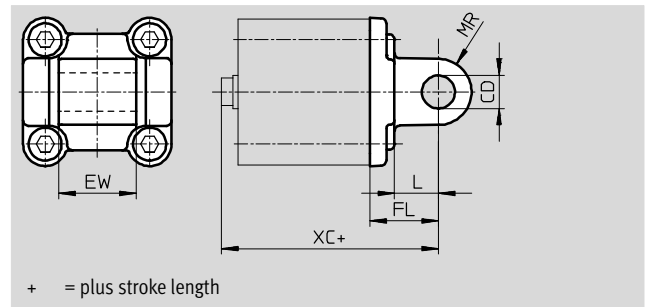
☆ Ready for dispatch in 5 days maximum from stock

Short-stroke cylinders ADVC/AEVC

Accessories

Swivel flange SNCL

Material:
Die-cast aluminium
Free of copper and PTFE
RoHS-compliant



Dimensions and ordering data						
For \varnothing	Stroke	CD	EW	FL	L	MR
[mm]	[mm]	\varnothing H9	-0.2/-0.6	± 0.2		
32	5	10	26	22	13	10
	10, 15, 20, 25					
40	5, 10	12	28	25	16	12
	15, 20, 25					
50	10	12	32	27	16	12
	15, 20, 25					
63	10	16	40	32	21	16
	15, 20, 25					
80	10, 15, 20, 25	16	50	36	22	16
100	10, 15, 20, 25	20	60	41	27	20

For \varnothing	Stroke	XC				CRC ¹⁾	Weight	Part No.	Type
		without position sensing		with position sensing					
[mm]	[mm]	ADVC	AEVC	ADVC	AEVC		[g]		
32	5	57	44	61	61	2	71	★ 174404	SNCL-32
	10, 15, 20, 25		48						
40	5, 10	60.5	50.5	69	69	2	95	★ 174405	SNCL-40
	15, 20, 25		55.5						
50	10	63	48.1	73	75	2	158	★ 174406	SNCL-50
	15, 20, 25		55.5						
63	10	75	58	81	81	2	225	★ 174407	SNCL-63
	15, 20, 25		65						
80	10, 15, 20, 25	84	79	93	93	2	436	★ 174408	SNCL-80
100	10, 15, 20, 25	100	91	109	109	2	655	174409	SNCL-100

1) Corrosion resistance class CRC 2 to Festo standard FN 940070
Moderate corrosion stress. Indoor applications in which condensation may occur. External visible parts with primarily decorative requirements for the surface and which are in direct contact with the ambient atmosphere typical for industrial applications.

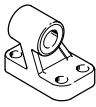
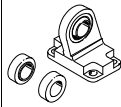


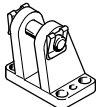
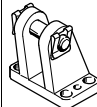
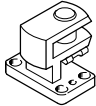
- Note
Screws with special lengths are required to fit the sizes \varnothing 80 mm and \varnothing 100 mm.
 \varnothing 80, 100: M10x30

Festo core product range ★ Ready for dispatch from the Festo factory in 24 hours
 ☆ Ready for dispatch in 5 days maximum from stock

Short-stroke cylinders ADVC/AEVC

Accessories

FESTO

Ordering data – Mounting attachments				Technical data → Internet: clevis foot			
Designation	For Ø	Part No.	Type	Designation	For Ø	Part No.	Type
Clevis foot mounting LNG				Clevis foot mounting LSN			
	32	★ 33890	LNG-32		32	5561	LSN-32
	40	★ 33891	LNG-40		40	5562	LSN-40
	50	★ 33892	LNG-50		50	5563	LSN-50
	63	★ 33893	LNG-63		63	5564	LSN-63
	80	★ 33894	LNG-80		80	5565	LSN-80
	100	33895	LNG-100		100	5566	LSN-100
Clevis foot mounting LSNG				Weld-on clevis foot mounting LSNSG			
	32	31740	LSNG-32		32	31747	LSNSG-32
	40	31741	LSNG-40		40	31748	LSNSG-40
	50	31742	LSNG-50		50	31749	LSNSG-50
	63	31743	LSNG-63		63	31750	LSNSG-63
	80	31744	LSNG-80		80	31751	LSNSG-80
	100	31745	LSNG-100		100	31752	LSNSG-100
Clevis foot LBG on swivel flange SNCS				Clevis foot LBG on rod eye SGS			
	32	31761	LBG-32		32, 40	31761	LBG-32
	40	31762	LBG-40		50, 63	31762	LBG-40
	50	31763	LBG-50		80	31763	LBG-50
	63	31764	LBG-63			31764	LBG-63
	80	31765	LBG-80		100	31765	LBG-80
	100	31766	LBG-100			31766	LBG-100
Clevis foot, right-angled LQG							
	32, 40	31768	LQG-32				
	50, 63	31769	LQG-40				
	80	31770	LQG-50				
		31771	LQG-63				
	100	31772	LQG-80				
31773		LQG-100					


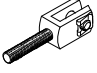
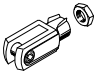
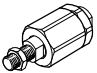
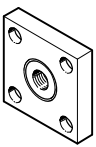
Festo core product range

- ★ Ready for dispatch from the Festo factory in 24 hours
- ☆ Ready for dispatch in 5 days maximum from stock

Short-stroke cylinders ADVC/AEVC

FESTO

Accessories

Ordering data – Piston rod attachments				Technical data → Internet: piston-rod attachment			
Designation	For Ø	Part No.	Type	Designation	For Ø	Part No.	Type
Rod eye SGS				Rod clevis SGA			
	10	★ 9253	SGS-M4		32	-	-
	16	★ 9254	SGS-M6		40	-	-
	20	★ 9255	SGS-M8		50	-	-
	25	-	-		63	-	-
	32	★ 9261	SGS-M10x1,25		32	32954	SGA-M10x1,25
	40	-	-		40	-	-
	50	★ 9262	SGS-M12x1,25		50	10767	SGA-M12x1,25
	63	-	-		63	-	-
	80	★ 9263	SGS-M16x1,5		80	10768	SGA-M16x1,5
	100	★ 9264	SGS-M20x1,5		100	10769	SGA-M20x1,5
Rod clevis SG				Self-aligning rod coupler FK			
	10	6532	SG-M4		10	6528	FK-M4
	12	-	-		12	30984	FK-M5
	16	★ 3110	SG-M6		16	★ 2061	FK-M6
	20	★ 3111	SG-M8		20	★ 2062	FK-M8
	25	-	-		25	-	-
	32	★ 6144	SG-M10x1,25		32	★ 6140	FK-M10x1,25
	40	-	-		40	-	-
	50	★ 6145	SG-M12x1,25		50	★ 6141	FK-M12x1,25
	63	-	-		63	-	-
	80	★ 6146	SG-M16x1,5		80	★ 6142	FK-M16x1,5
100	★ 6147	SG-M20x1,5	100	★ 6143	FK-M20x1,5		
Coupling piece KSG							
	32	32963	KSG-M10x1,25				
	40	-	-				
	50	32964	KSG-M12x1,25				
	63	-	-				
	80	32965	KSG-M16x1,5				
	100	32966	KSG-M20x1,5				

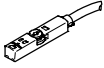
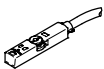
Festo core product range

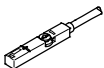

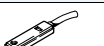
- ★ Ready for dispatch from the Festo factory in 24 hours
- ☆ Ready for dispatch in 5 days maximum from stock



Short-stroke cylinders ADVC/AEVC

Accessories

FESTO

Ordering data – Proximity sensors for T-slot, magneto-resistive						Technical data → Internet: smt	
	Type of mounting	Switch output	Electrical connection	Cable length [m]	Part No.	Type	
N/O contact							
	Insertable in the slot from above, flush with cylinder profile, short design	PNP	Cable, 3-wire	2.5	★ 574335	SMT-8M-A-PS-24V-E-2,5-OE	
			Plug M8x1, 3-pin	0.3	★ 574334	SMT-8M-A-PS-24V-E-0,3-M8D	
			Plug M12x1, 3-pin	0.3	★ 574337	SMT-8M-A-PS-24V-E-0,3-M12	
		NPN	Cable, 3-wire	2.5	★ 574338	SMT-8M-A-NS-24V-E-2,5-OE	
			Plug M8x1, 3-pin	0.3	★ 574339	SMT-8M-A-NS-24V-E-0,3-M8D	
N/C contact							
	Insertable in the slot from above, flush with cylinder profile, short design	PNP	Cable, 3-wire	7.5	★ 574340	SMT-8M-A-PO-24V-E-7,5-OE	

Ordering data – Proximity sensors for T-slot, magnetic reed						Technical data → Internet: sme	
	Type of mounting	Switch output	Electrical connection	Cable length [m]	Part No.	Type	
N/O contact							
	Insertable in the slot from above, flush with cylinder profile	Contacting	Cable, 3-wire	2.5	★ 543862	SME-8M-DS-24V-K-2,5-OE	
				5.0	★ 543863	SME-8M-DS-24V-K-5,0-OE	
			Cable, 2-wire	2.5	★ 543872	SME-8M-ZS-24V-K-2,5-OE	
			Plug M8x1, 3-pin	0.3	★ 543861	SME-8M-DS-24V-K-0,3-M8D	
	Insertable in the slot lengthwise, flush with the cylinder profile	Contacting	Cable, 3-wire	2.5	150855	SME-8-K-LED-24	
			Plug M8x1, 3-pin	0.3	150857	SME-8-S-LED-24	
N/C contact							
	Insertable in the slot lengthwise, flush with the cylinder profile	Contacting	Cable, 3-wire	7.5	160251	SME-8-O-K-LED-24	

Ordering data – Connecting cables					Technical data → Internet: nebu	
	Electrical connection, left	Electrical connection, right	Cable length [m]	Part No.	Type	
	Straight socket, M8x1, 3-pin	Cable, open end, 3-wire	2.5	★ 541333	NEBU-M8G3-K-2.5-LE3	
			5	★ 541334	NEBU-M8G3-K-5-LE3	
	Straight socket, M12x1, 5-pin	Cable, open end, 3-wire	2.5	★ 541363	NEBU-M12G5-K-2.5-LE3	
			5	★ 541364	NEBU-M12G5-K-5-LE3	
	Angled socket, M8x1, 3-pin	Cable, open end, 3-wire	2.5	★ 541338	NEBU-M8W3-K-2.5-LE3	
			5	★ 541341	NEBU-M8W3-K-5-LE3	
	Angled socket, M12x1, 5-pin	Cable, open end, 3-wire	2.5	541367	NEBU-M12W5-K-2.5-LE3	
			5	541370	NEBU-M12W5-K-5-LE3	

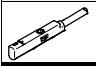
Ordering data – Slot cover for T-slot				
	Mounting	Length	Part No.	Type
	Insertable from above	2x 0.5 m	151680	ABP-5-S

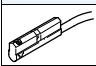
Festo core product range

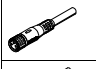

- ★ Ready for dispatch from the Festo factory in 24 hours
- ☆ Ready for dispatch in 5 days maximum from stock

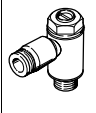

Short-stroke cylinders ADVC/AEVC

Accessories

Ordering data – Proximity switches for C-slot, magneto-resistive					Technical data → Internet: smt	
	Type of mounting	Switch output	Electrical connection, connection direction	Cable length [m]	Part No.	Type
N/O contact						
	Insertable in the slot from above	PNP	Plug M8x1, 3-pin, in-line	0,3	★ 551375	SMT-10M-PS-24V-E-0,3-L-M8D
			Cable, 3-wire, in-line	2,5	★ 551373	SMT-10M-PS-24V-E-2,5-L-OE

Ordering data – Proximity switches for C-slot, magnetic reed					Technical data → Internet: sme	
	Type of mounting	Switch output	Electrical connection, connection direction	Cable length [m]	Part No.	Type
N/O contact						
	Insertable in the slot lengthwise	Contacting	Plug M8x1, 3-pin, in-line	0,3	173212	SME-10-SL-LED-24
			Cable, 3-wire, in-line	2,5	173210	SME-10-KL-LED-24

Ordering data – Connecting cables				Technical data → Internet: nebu	
	Electrical connection, left	Electrical connection, right	Cable length [m]	Part No.	Type
	Straight socket, M8x1, 3-pin	Cable, open end, 3-wire	2,5	★ 541333	NEBU-M8G3-K-2.5-LE3
			5	★ 541334	NEBU-M8G3-K-5-LE3
	Angled socket, M8x1, 3-pin	Cable, open end, 3-wire	2,5	★ 541338	NEBU-M8W3-K-2.5-LE3
			5	★ 541341	NEBU-M8W3-K-5-LE3

Ordering data – One-way flow control valves				Technical data → Internet: grl			
	Connection Thread	For tubing O.D.	Material	Part No.	Type		
For exhaust air							
	M3	3	Metal design	175041	GRLA-M3-QS-3		
		M5		3	★ 193137	GRLA-M5-QS-3-D	
				4	★ 193138	GRLA-M5-QS-4-D	
	6			★ 193139	GRLA-M5-QS-6-D		
	G1/8	3		★ 193142	GRLA-1/8-QS-3-D		
		4		★ 193143	GRLA-1/8-QS-4-D		
		6		★ 193144	GRLA-1/8-QS-6-D		
		8		★ 193145	GRLA-1/8-QS-8-D		
	G1/4	6		★ 193146	GRLA-1/4-QS-6-D		
		8		★ 193147	GRLA-1/4-QS-8-D		
		10		★ 193148	GRLA-1/4-QS-10-D		
	For supply air						
		M3		3	Metal design	175043	GRLZ-M3-QS-3
M5			3	★ 193153		GRLZ-M5-QS-3-D	
			4	★ 193154		GRLZ-M5-QS-4-D	
		6	★ 193155	GRLZ-M5-QS-6-D			
G1/8		3	★ 193156	GRLZ-1/8-QS-3-D			
		4	★ 193157	GRLZ-1/8-QS-4-D			
		6	★ 193158	GRLZ-1/8-QS-6-D			
		8	★ 193159	GRLZ-1/8-QS-8-D			

Festo core product range

- ★ Ready for dispatch from the Festo factory in 24 hours
- ☆ Ready for dispatch in 5 days maximum from stock